

SPECIFICATIONS:

① **COVER:** 14 GA (0.79) GALV STEEL, STIFFENED TO WITHSTAND A LIVE LOAD OF 40PSF WITH A MAX DEFLECTION OF 1/150 OF THE SPAN

② **LINER:** 22 GA GALV STEEL

③ **CURB AND COUNTERFLASH W/ EZ TAB:** 14 GA (0.79) GALV STEEL

4 **FINISH:** F98 K <HPOWDER COAT

⑤ **SPRING/HINGE ASSEMBLY:** ZINC PLATED STEEL TAMPER-PROOF HINGE CONTAINED WITHIN SPRING/HINGE ASSEMBLY. TELESCOPIC TUBES CONTAIN COIL STEEL COMPRESSION SPRINGS FOR LIFT ASSISTANCE

⑥ **HOLD OPEN ARM:** LOCKS COVER IN FULLY OPEN POSITION - ZINC PLATED STEEL WITH RED VINYL GRIP HANDLE PULL RELEASE

⑦ **LATCH:** 2 POINT ROTARY LATCH HOLDS COVER CLOSED AGAINST 70 PSF WIND UPLIFT. INTERNAL AND EXTERNAL TURN HANDLES WITH PADLOCK HASPS

⑧ **INSULATION:** 1" POLYISO (R6) CURB, 1" POLYSTYRENE (R4) COVER

⑨ **GASKET:** ADHESIVE BACKED EPDM RUBBER EXTRUSION

⑩ **SIZING:** WIDTH X LENGTH DIMENSIONS ARE MEASURED INSIDE CURB TO INSIDE CURB WHERE THE WIDTH IS HINGE TO LATCH AND LENGTH IS HINGED SIDE WITH SPRINGS

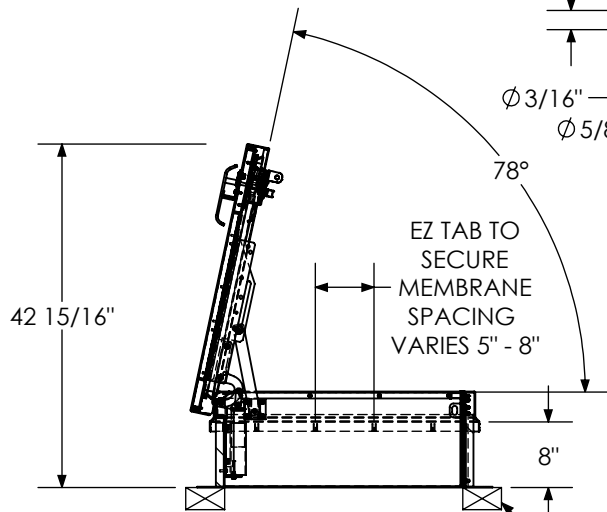
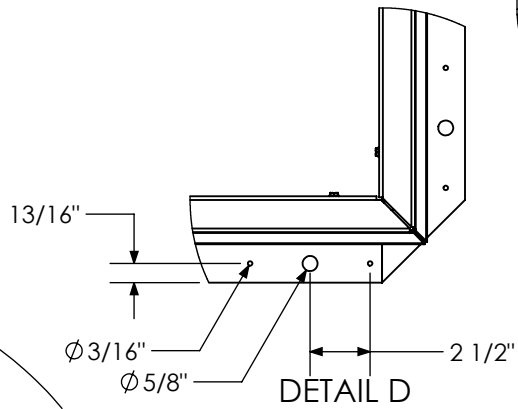
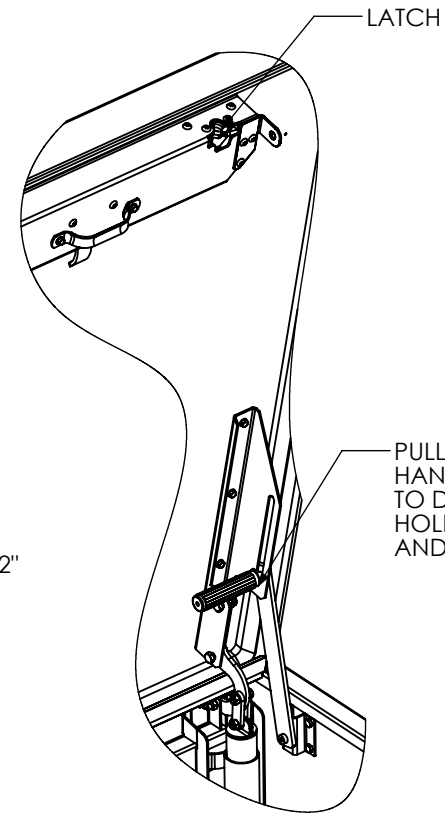
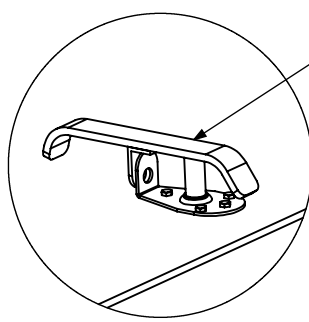
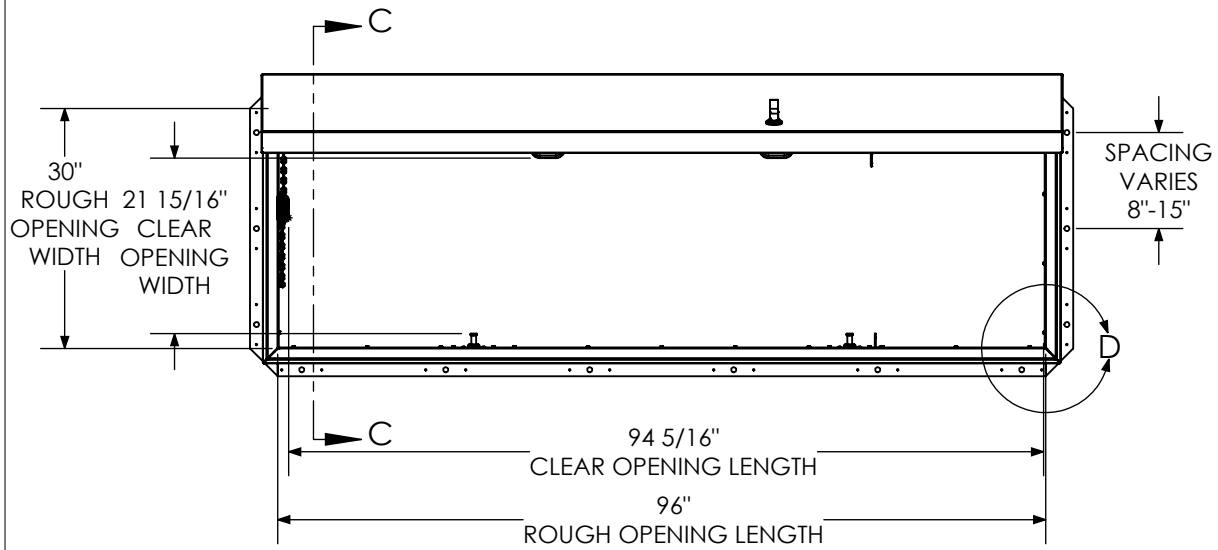
ROOF HATCH SIZE 30" (WIDTH) x 96" (LENGTH)

CLEAR OPENING 21.94" (WIDTH) x 94.31" (LENGTH)

ROUGH OPENING 30" (WIDTH) x 96" (LENGTH)

PROPRIETARY AND CONFIDENTIAL: THE INFORMATION CONTAINED IN THIS DRAWING IS THE SOLE PROPERTY OF TRIBUILT. ANY REPRODUCTION IN PART OR AS A WHOLE WITHOUT THE WRITTEN PERMISSION OF TRIBUILT IS PROHIBITED.

PROJECT:				
ARCHITECT:				
CONTRACTOR:				
QTY:				
PART#:				
TRIBUILT TRI-BUILT® MATERIALS GROUP, LLC		TITLE:		
		Roof Hatch, Hurricane, 30x96, Sngl Dr, Zinc Hdw, Galv, Pwd Coat, Sngl Wall Curb		
NAME	DATE	SIZE	DWG. NO.	REV
DRAWN	SJB	11/5/15	A	A
RELEASED	-	-	WEIGHT:	SHEET 1 OF 2



SECTION C-C

WOOD, CONCRETE, OTHER MATERIAL FOR MOUNTING BY OTHERS (NIC)

HARDWARE DETAILS



TITLE: Roof Hatch, Hurricane
30x96, Sngl Dr, Zinc Hdw,
Galv, Awd Coat, Sngl Wall Curb

NAME	DATE	SIZE	DWG. NO.	REV
DRAWN SJB	11/5/15	A		A
RELEASED -	-	WEIGHT:		SHEET 2 OF 2