

SPECIFICATIONS:

- ① **COVER:** 11 GA (.090)ALUMINUM ,STIFFENED TO WITHSTAND A LIVE LOAD OF 40PSF WITH A MAX DEFLECTION OF 1/150 OF THE SPAN.
- ② **CURB:** 11 GA (.090)ALUMINUM CURB COUNTERFLASH WITH EZ TABS.
- ③ **FINISH:** MILL
- ④ **INSULATION:** 1" POLYISO R-6 (5.6 LTR) IN CURB, 1" POLYSTYRENE R-4 (3.8 LTR) IN COVER.
- ⑤ **GASKET:** EXTRUDED EPDM RUBBER ADHESIVE BACKED GASKET SEAL CONTINUOUS AROUND COVER.
- ⑥ **SPRING:** GAS SPRING WITH DAMPER FOR SMOOTH, CONTROLLED, COUNTERBALANCED LIFT ASSISTANCE.
- ⑦ **HINGE:** PINTLE HINGE WITH STAINLESS STEEL HINGE PINS.
- ⑧ **HOLD OPEN ARM:** ZINC PLATED STEEL AUTOMATIC HOLD OPEN ARM LOCKS COVER IN FULLY OPEN POSITION WITH RED VINYL GRIP HANDLE PULL RELEASE.

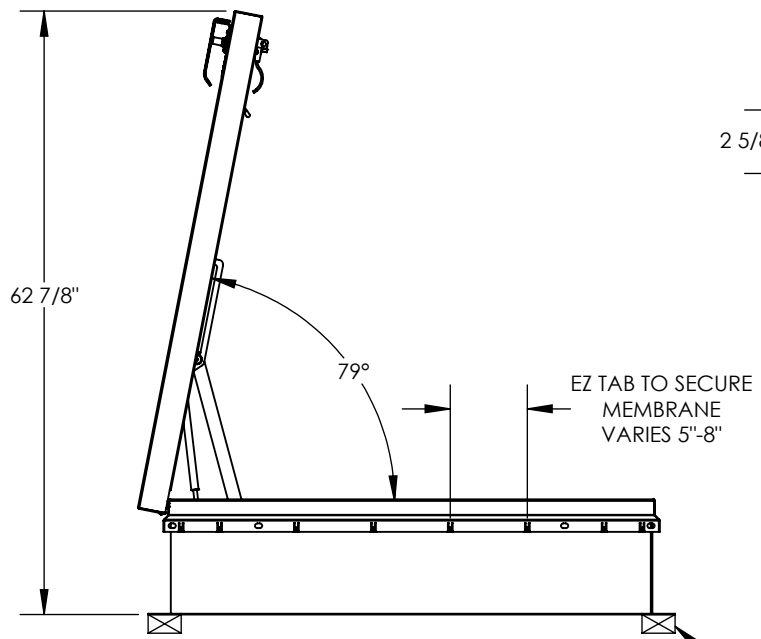
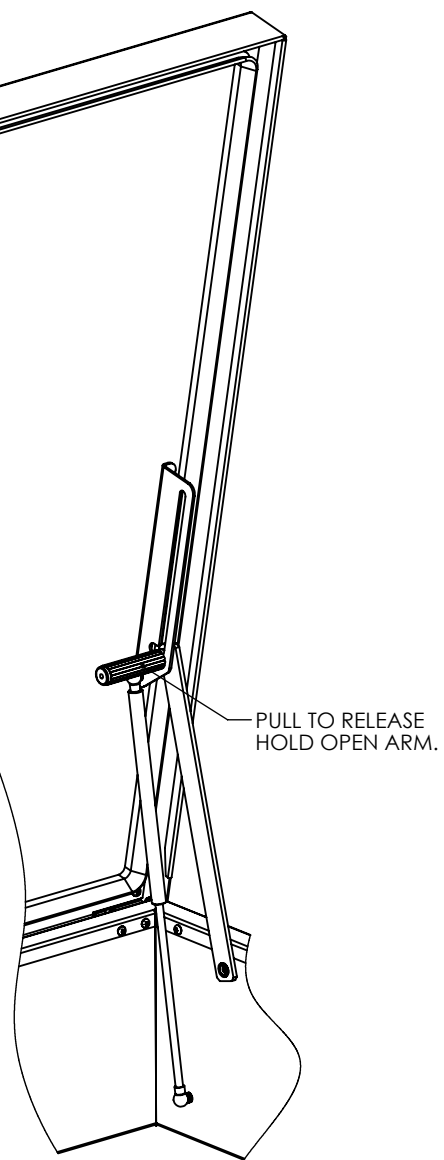
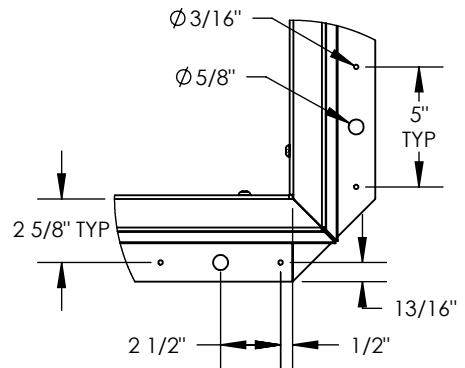
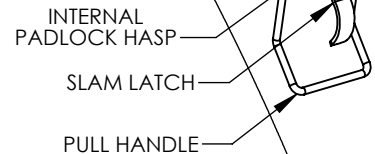
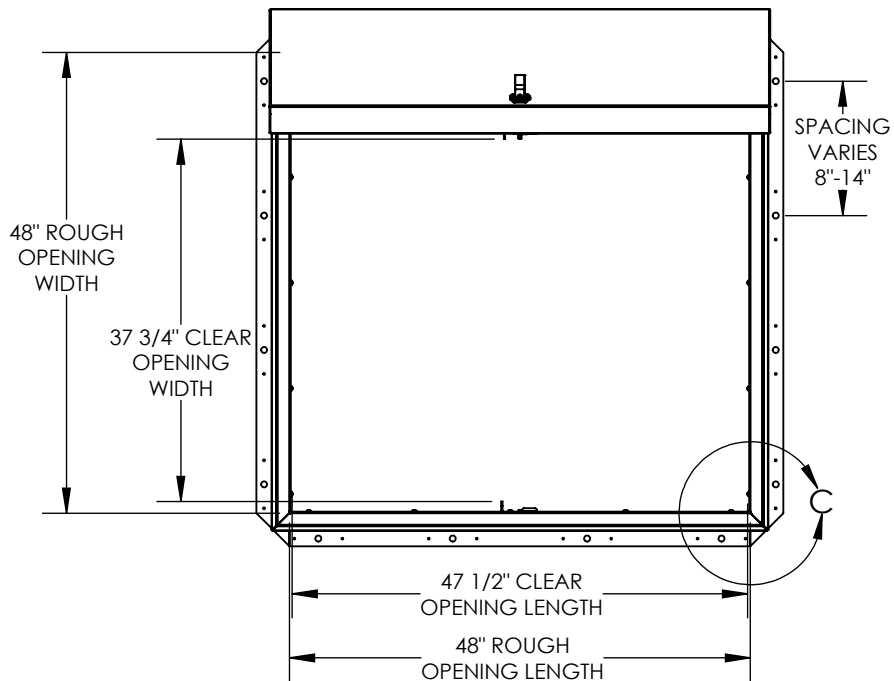
- ⑨ **LATCH:** ZINC PLATED STEEL SLAM LATCH, HOLDS COVER CLOSED AGAINST +0PSF WIND UPLIFT, INTERIOR AND EXTERIOR TURN HANDLES K #K PADLOCK HASPS.
- ⑩ **PULL HANDLE:** INTERIOR PULL DOWN HANDLE, SAFETY YELLOW POWDER COAT

NOTES:
 -WHEN INSTALLING ON A PITCHED ROOF UP TO 7:12, THE HINGE SIDE(LENGTH)MUST BE PARALLEL TO THE SLOPE.
 - WIDTH X LENGTH DIMENSIONS ARE MEASURED INSIDE CURB TO INSIDE CURB. THE WIDTH IS HINGE TO LATCH AND LENGTH IS HINGED SIDE.

ROOF HATCH SIZE 48" (WIDTH) x 48" (LENGTH)
CLEAR OPENING 37 3/4"(WIDTH) x 47 1/2" (LENGTH)
ROUGH OPENING 48" (WIDTH) x 48" (LENGTH)

PROPRIETARY AND CONFIDENTIAL: THE INFORMATION CONTAINED IN THIS DRAWING IS THE SOLE PROPERTY OF HF 61 4H ANY REPRODUCTION IN PART OR AS A WHOLE WITHOUT THE WRITTEN PERMISSION OF HF 61 4H IS PROHIBITED.

PROJECT:			
ARCHITECT:			
CONTRACTOR:			
QTY:			
PART:		VOA48Y48UFV	
		TITLE: Roof Hatch 48" x 48" Sngl Wall Curb	
		Alum, Mill, Sngl Wall Curb	
NAME	DATE	SIZE	DWG. NO.
DRAWN SGS	04/01/15	A	VOA48Y48 UFV
RELEASED IMT	04/01/15	WEIGHT: 96 lbs	REV -



WOOD, CONCRETE, OTHER MATERIAL FOR MOUNTING BY OTHERS (NIC)



TITLE: **Roof Hatch**
 48x48, S) | Dr,
 Alum, Mill, Sngl Wall Curb

	NAME	DATE	SIZE	DWG. NO.	REV
DRAWN	SGS	04/01/15	A	VÓA48Y48ÜFV	-
RELEASED	IMT	04/01/15		WEIGHT: 96 lbs	SHEET 2 OF 2