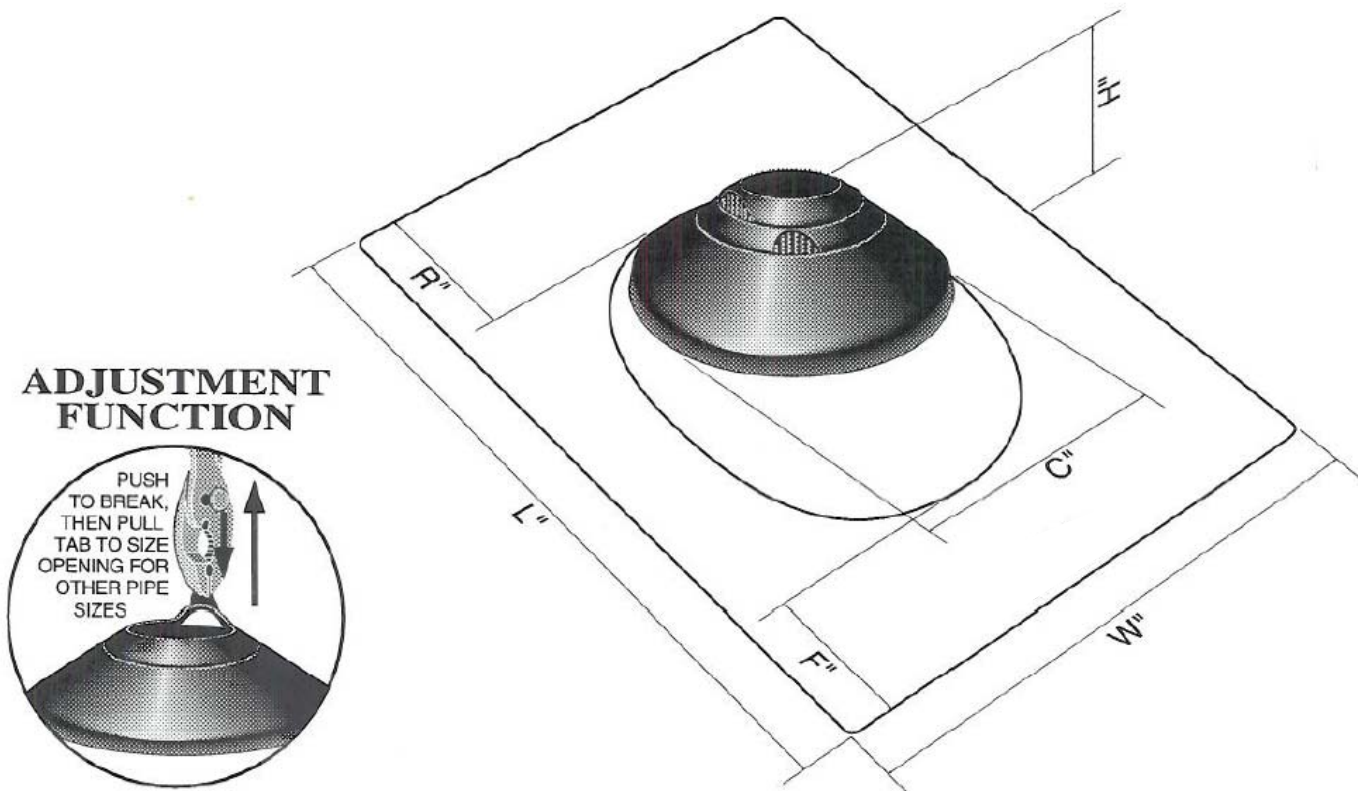


TRI-BUILT® Aluminum 1-1/4" - 3" Roof Pipe Flashing Mill

Furnish and install roof vent flashing with 25 mil. Aluminum base, fitted with adjustable multi-size elastomer collar. Unit shall be Water Tite item number checked below as manufactured by TRI-BUILT®, as per corresponding dimensional characteristics, or equivalent. (Do not use Petroleum based mastics, sealing compounds, or paints on collar portion of all flashings, on all hardbase, flexible, or rain collars.



DIMENSIONAL CHARACTERISTICS							
Product	Vent Size	Dim. Width	Dim. Length	Dim. Right	Dim. Front	Dim. Center	Dim. Height
88871728	1-1-1/4"	10 3/4"	14 1/2"	2 5/8"	2 3/8"	5 1/2"	2 1/8"