

SECTION A-A

VERTICAL
1-1/2 HOUR "B" LABEL



NOTES:

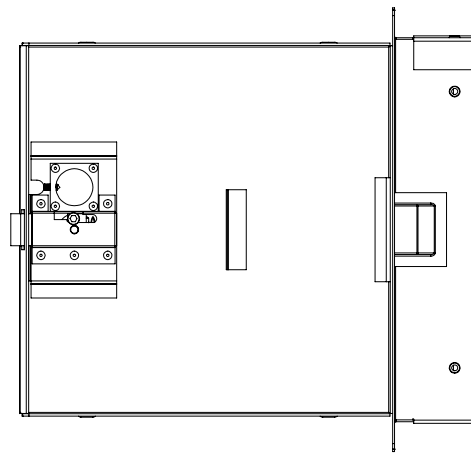
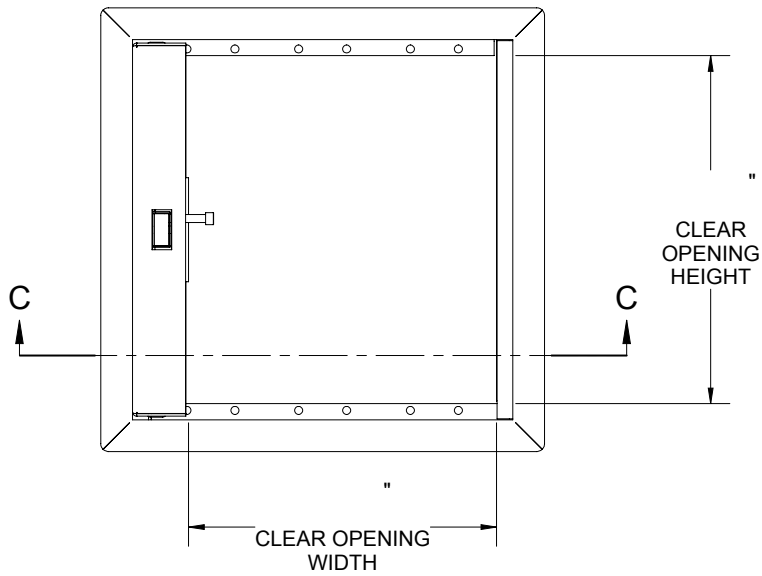
ROUGH OPENING: " X "
 CLEAR OPENING: " X "
 DEGREE OF OPENING: 125°

- ① FRAME:
- ② DOOR:
- 3 FINISH:
- ④ HINGE:
- 5 SECONDARY LATCH:
- ⑥ LOCK: Knurled Knob/Keyed Slam Latch

PROJECT:			
ARCHITECT:			
CONTRACTOR:			
QTY:			
PART#:			
		TITLE:	
NAME	DATE	SIZE	DWG. NO.
DRAWN GML	7/9/2014	A	BUTK ShpDr
RELEASED DWO	TODAY	WEIGHT: 10.4	

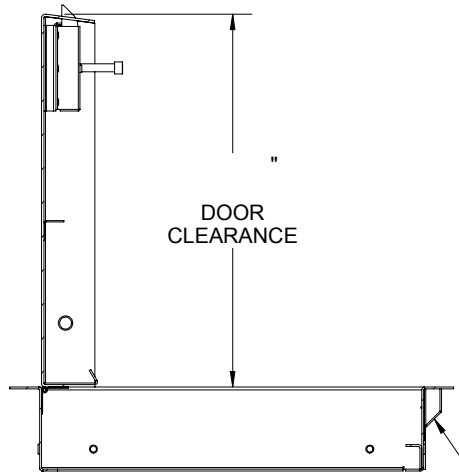
B

B



A

A

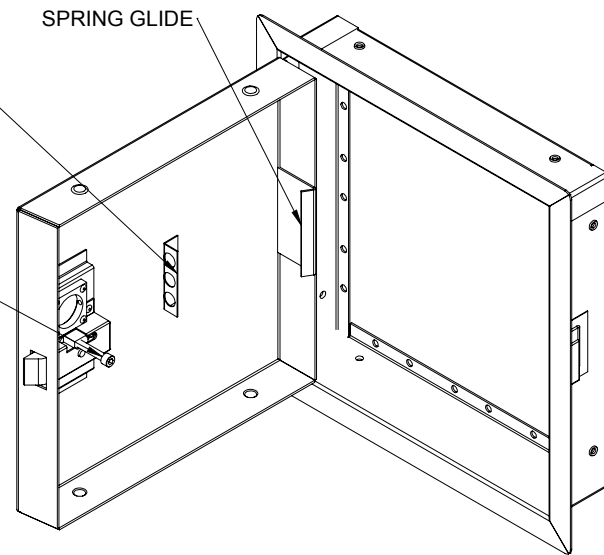


INTERIOR RELEASE MECHANISM

SPRING MOUNT BRACKET

SPRING GLIDE

LATCH BOLT COVER EXTENDS 1/2" BEYOND OUTSIDE EDGE OF FRAME



PART#:				TITLE:		
TRIBUILT TRI-BUILT® MATERIALS GROUP, LLC						
NAME	DATE	SIZE	DWG. NO.	REV		
DRAWN	GML	7/9/2014	A	-		
RELEASED	DWO	TODAY	WEIGHT: 10.4	SHEET 2 OF 2		

BUTK ShpDr