

SECTION A-A

SECTION B-B

ROUGH OPENING: " x "
 CLEAR OPENING: " x "
 DEGREE OF OPENING: 100°

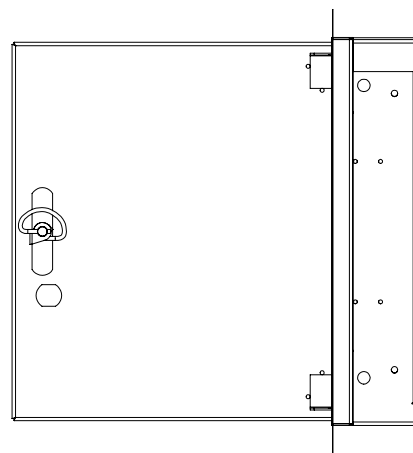
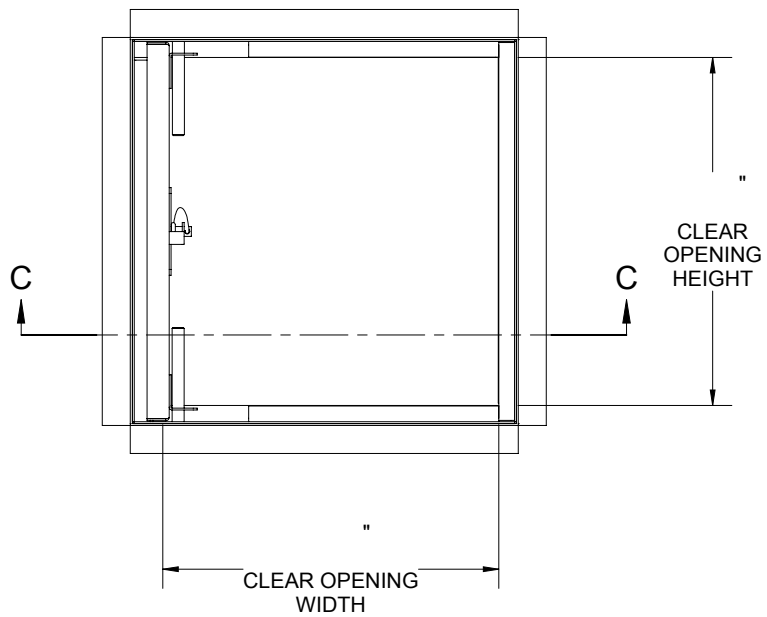
NOTES:

- ① FRAME:
- ② DOOR:
- 3 FINISH:
- ④ HINGE: Concealed Rod Hinge
- ⑤ LATCH:

PROJECT:			
ARCHITECT:			
CONTRACTOR:			
QTY:			
PART#:			
		TITLE:	
NAME	DATE	SIZE	DWG. NO.
DRAWN	GML 7/30/2014	A	BRW ShpDr
RELEASED	DWO TODAY	WEIGHT: 9.1	SHEET 1 OF 2

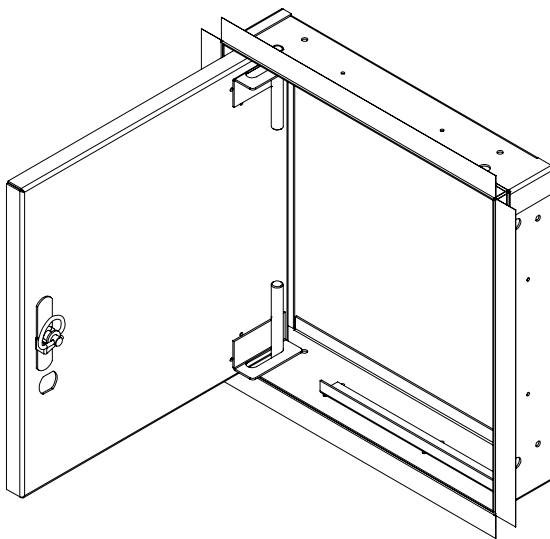
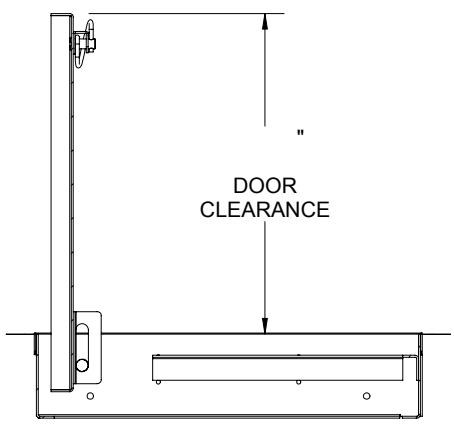
B

B



A

A



PART#:				TITLE:			
				DWG. NO. BRW ShpDr REV -			
DRAWN	GML	7/30/2014	A	BRW ShpDr		-	
RELEASED	DWO	TODAY	WEIGHT: 9.1		SHEET 2 OF 2		