

SECTION A-A

SECTION B-B

ROUGH OPENING: " X " "
 CLEAR OPENING: " X " "
 DEGREE OF OPENING: ° X ° "
 CAM QTY: Latch Side
 Top/Bottom Side

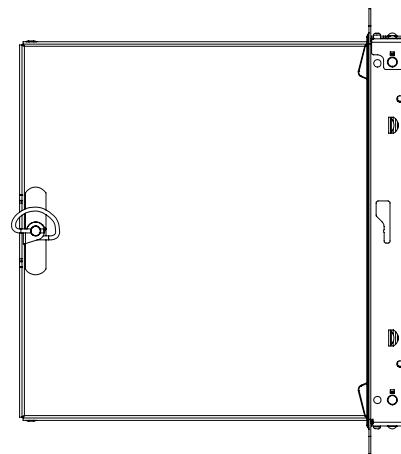
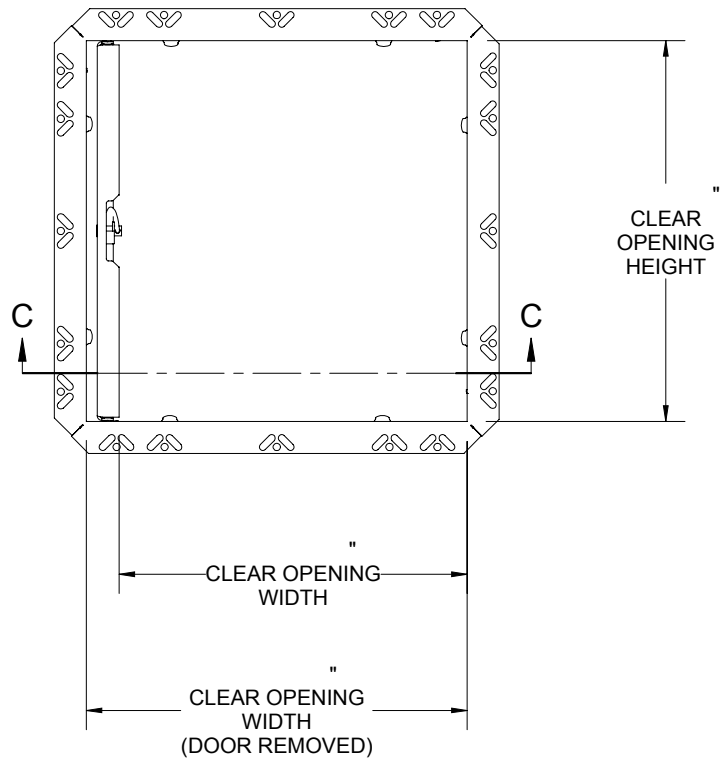
NOTES:

- ① **FRAME:** CRS 16 Ga, 1" Drywall Bead
- ② **DOOR:** CRS 14 Ga
- ③ **FINISH:** White Powder Paint
- ④ **HINGE:**
- ⑤ **LATCH:**
- ⑥ **LOCK:** No Lock

PROJECT:			
ARCHITECT:			
CONTRACTOR:			
QTY:			
PART#:		TITLE:	
		DRAWN	
		RELEASED	
NAME	DATE	SIZE	DWG. NO.
		A	
WEIGHT: VARIES			REV
			-
SHEET 1 OF 2			

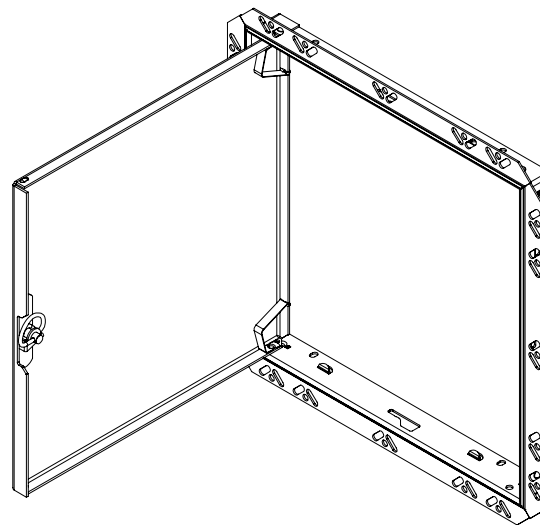
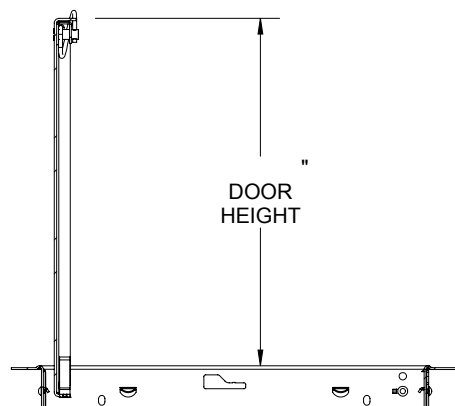
B

B



A

A



PART#:			TITLE:		
			DWG. NO.		REV
			A		-
DRAWN	NAME	DATE	WEIGHT: VARIES		SHEET 2 OF 2
RELEASED					