

SECTION A-A

SECTION B-B

ROUGH OPENING: " X "
 CLEAR OPENING: " X "
 DEGREE OF OPENING: °
 CAM QTY: Latch Side
 Top/Bottom Side

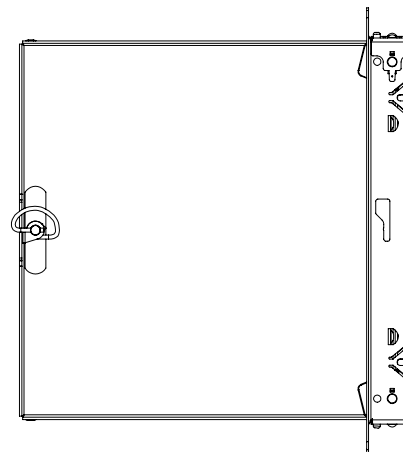
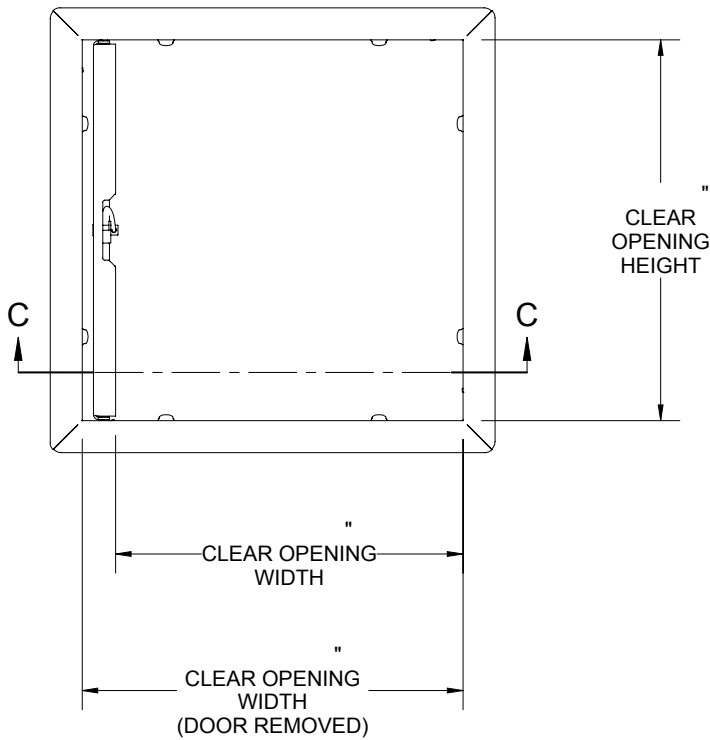
NOTES:

- ① **FRAME:** CRS 16 Ga, 1" Flange
- ② **DOOR:** CRS 14 Ga
- ③ **FINISH:** White Powder Coat
- ④ **HINGE:**
- ⑤ **LATCH:**
- ⑥ **LOCK:** No Lock

PROJECT:			
ARCHITECT:			
CONTRACTOR:			
QTY:			
PART#:			
		TITLE:	
NAME	DATE	SIZE	DWG. NO.
DRAWN		A	
RELEASED		WEIGHT: VARIES	
			REV
			-
			SHEET 1 OF 2

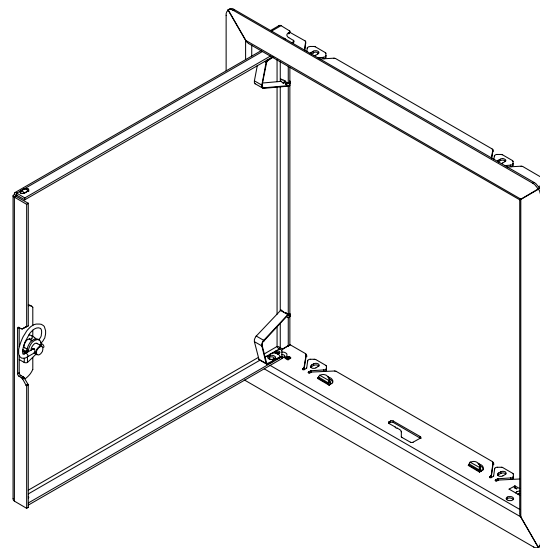
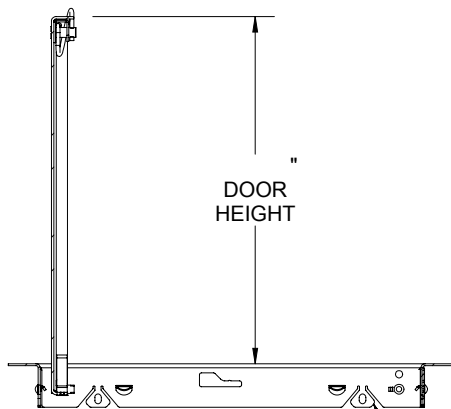
B

B



A

A



PART#:			TITLE:		
DRAWN			A		-
RELEASED			WEIGHT: VARIES		SHEET 2 OF 2