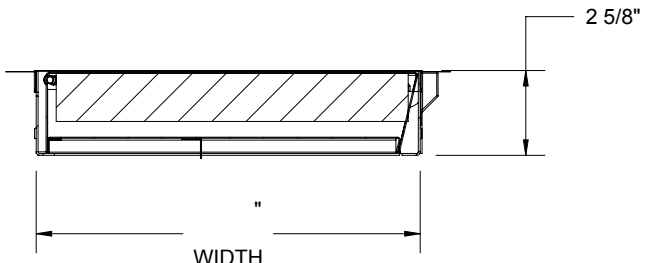
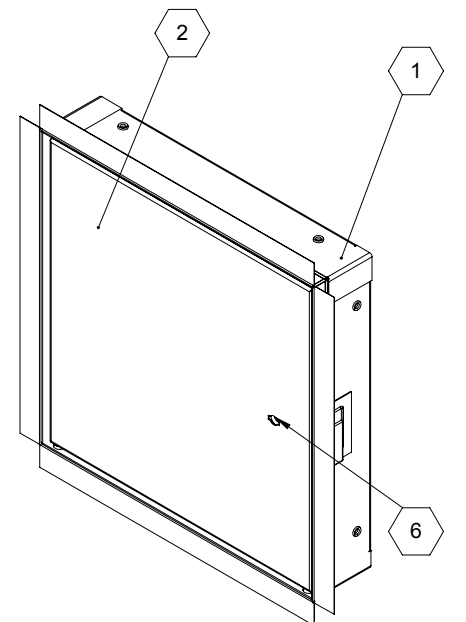


SECTION A-A



SECTION B-B



**HORIZONTAL**  
 1 HR WOOD-FRAME CONSTRUCTION  
 3 HR NON-COMBUSTABLE CONSTRUCTION  
**ONSIZES UP TO AND INCLUDING**  
 24" W X 36" H

**VERTICAL**  
 1-1/2 HOUR "B" LABEL



C **UL** US  
 LISTED

NOTES:

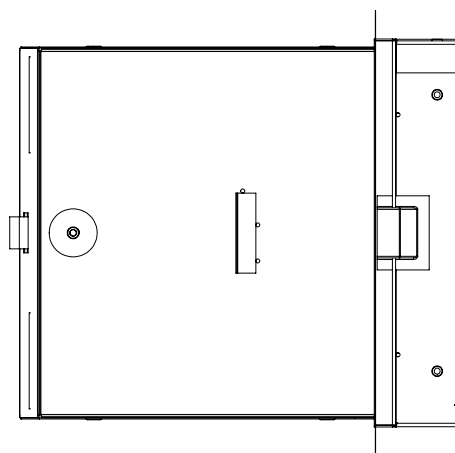
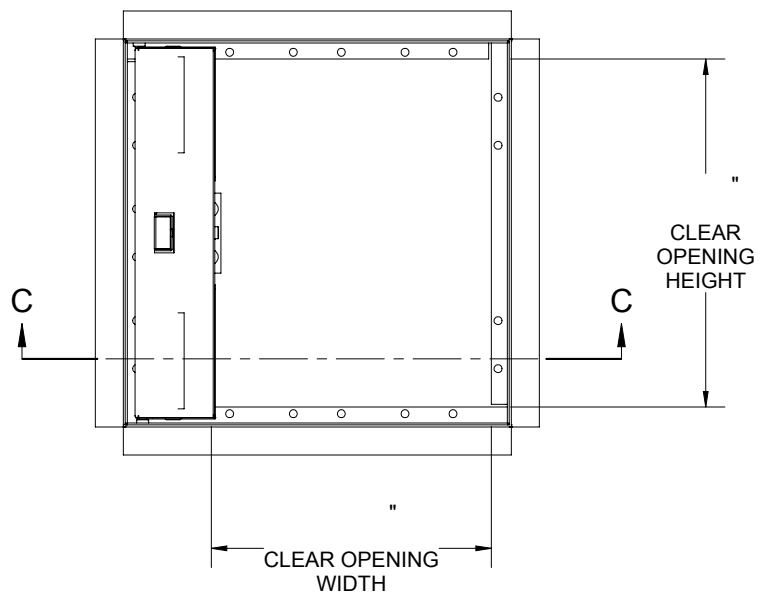
**ROUGH OPENING:** " X " "  
**CLEAR OPENING:** " X " "  
**DEGREE OF OPENING:** 120°

- ① **FRAME:**
- ② **DOOR:**
- ③ **FINISH:**
- ④ **HINGE:**
- ⑤ **SECONDARY LATCH:**
- ⑥ **LOCK:** Knurled Knob/Keyed Slam Latch
- ⑦ **INSULATION:** 2" Thick Fire Rated Mineral Wool, 8 R-Value

PROJECT:			
ARCHITECT:			
CONTRACTOR:			
QTY:			
PART#:			
 TRI-BUILT® MATERIALS GROUP, LLC		TITLE:	
NAME	DATE	SIZE	DWG. NO.
DRAWN GML	7/2/2014	A	BIWK ShpDr
RELEASED DWO	TODAY	WEIGHT: 10.8	SHEET 1 OF 2

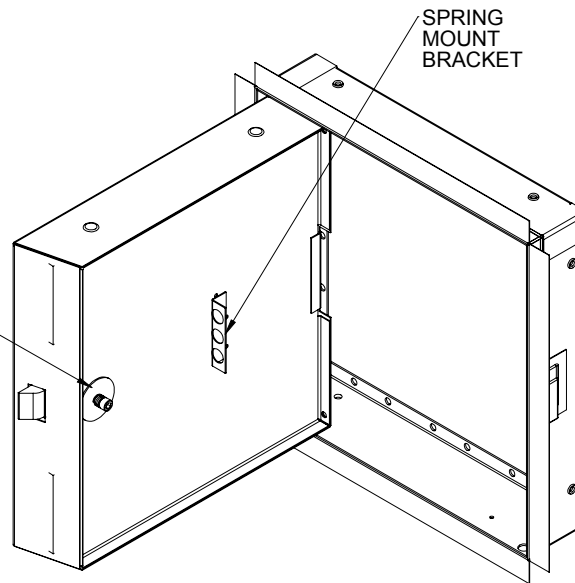
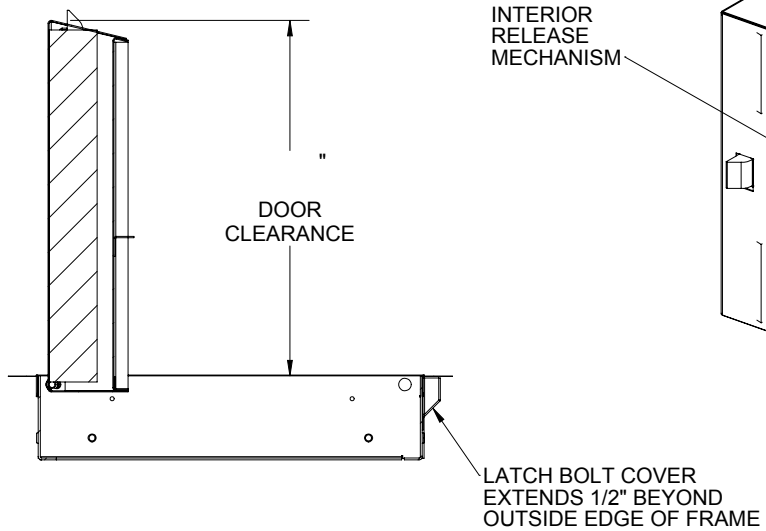
B

B



A

A



PART#:				TITLE:		
				DWG. NO. BIWK ShpDr REV -		
DRAWN	GML	7/2/2014	A	BIWK ShpDr		-
RELEASED	DWO	TODAY	WEIGHT: 10.8	SHEET 2 OF 2		