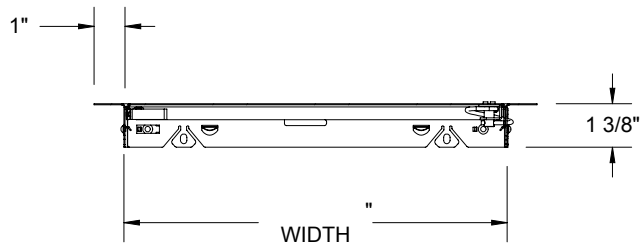
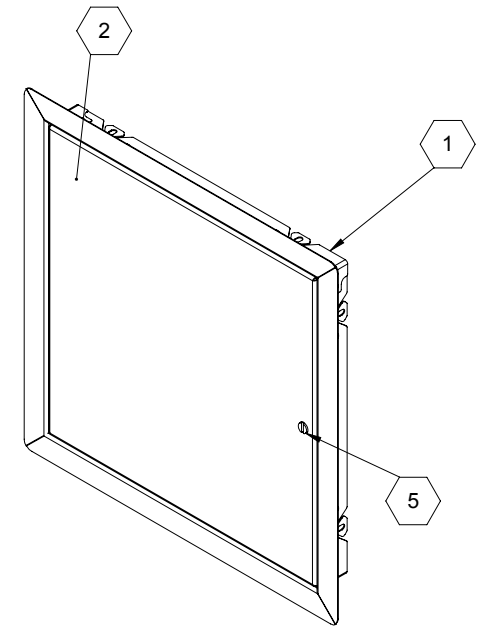


SECTION A-A



SECTION B-B

ROUGH OPENING: " X "
 CLEAR OPENING: " X "
 DEGREE OF OPENING: ° "
 CAM QTY: Latch Side
 Top/Bottom Sides

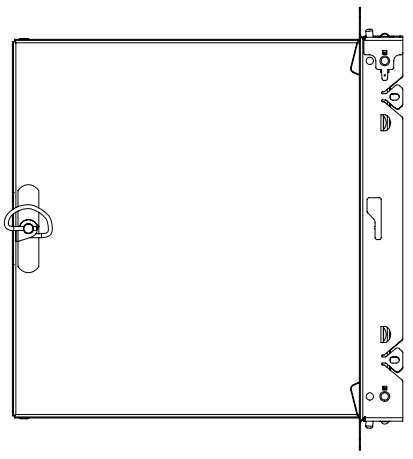
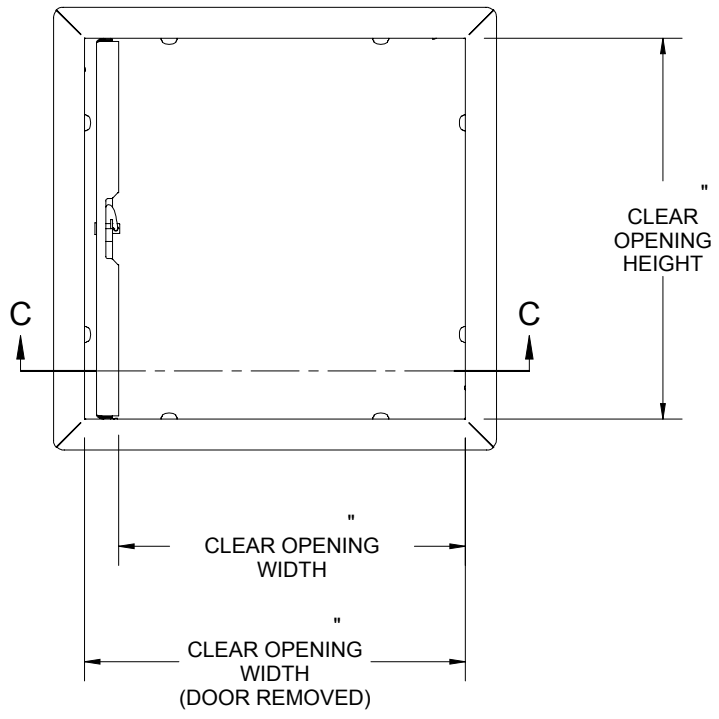
NOTES:

- ① **FRAME:** CRS 20 Ga, 1" Flange
- ② **DOOR:** CRS 20 Ga
- ③ **FINISH:** White Powder Coat
- ④ **HINGE:**
- ⑤ **LATCH:**
- ⑥ **LOCK:** No Lock

PROJECT:			
ARCHITECT:			
CONTRACTOR:			
QTY:			
PART#:		TITLE:	
		NAME DATE SIZE DWG. NO. REV	
		DRAWN A -	
RELEASED		WEIGHT: VARIES SHEET 1 OF 2	

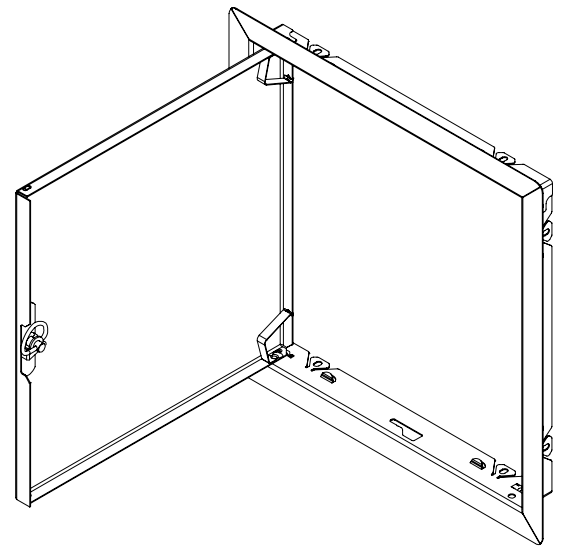
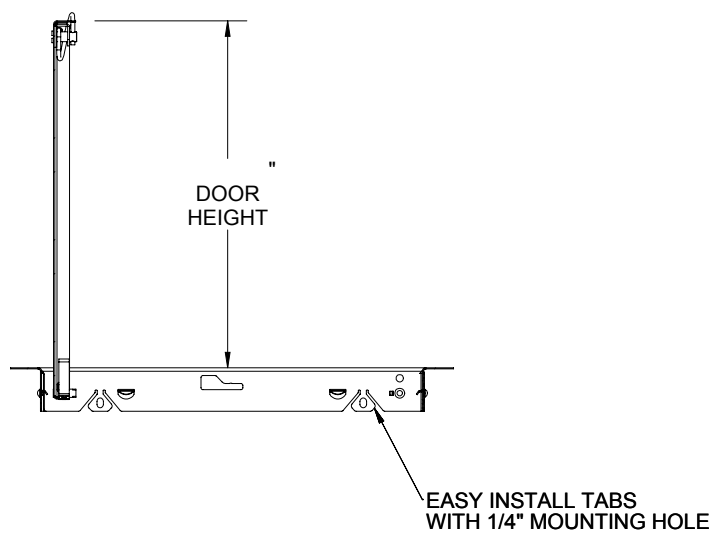
B

B



A

A



PART#:		TITLE:				
		NAME	DATE	SIZE	DWG. NO.	REV
		DRAWN		A		-
RELEASED		WEIGHT: VARIES			SHEET 2 OF 2	