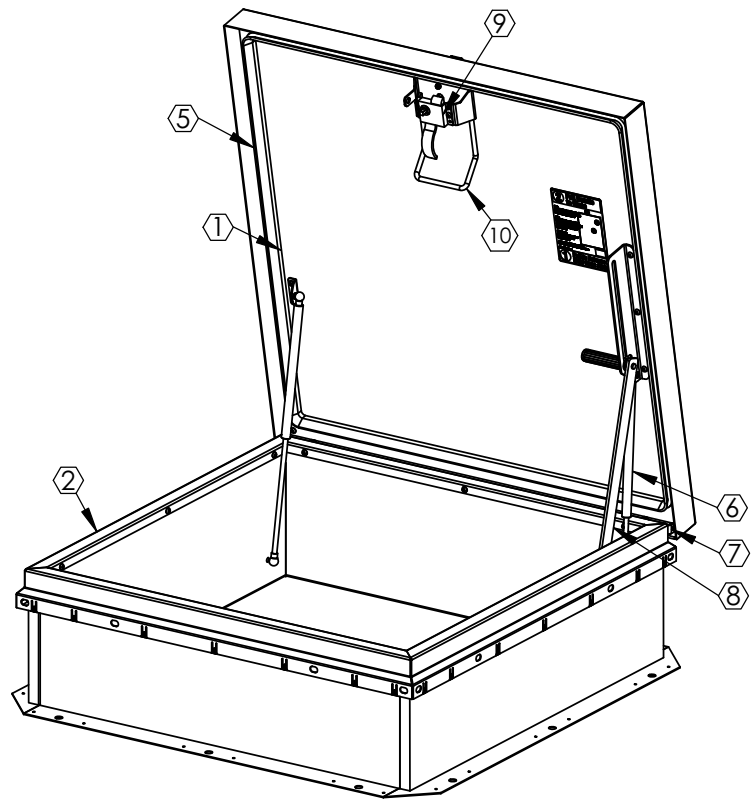
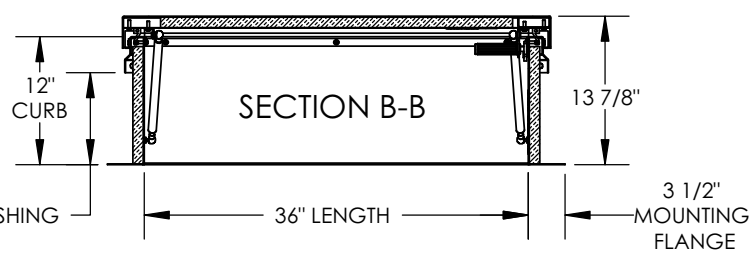
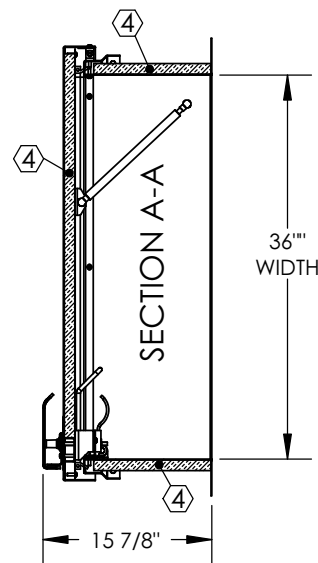
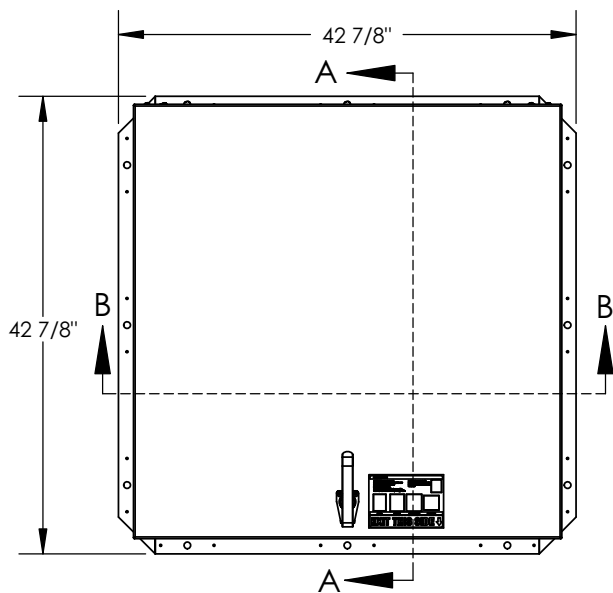


2

1




SPECIFICATIONS:

- ① **COVER:** 14GA (.079) GALV STEEL, STIFFENED TO WITHSTAND A LIVE LOAD OF 40PSF WITH A MAX DEFLECTION OF 1/150 OF THE SPAN.
- ② **CURB:** 14GA (.079) GALV STEEL CURB COUNTERFLASH WITH EZ TABS.
- ③ **FINISH:** RED POWDER COAT
- ④ **INSULATION:** 1" POLYISO R-6 (5.6 LTR) IN CURB, 1" POLYSTYRENE R-4 (3.8 LTR) IN COVER.
- ⑤ **GASKET:** EXTRUDED EPDM RUBBER ADHESIVE BACKED GASKET SEAL COUNTINUOUS AROUND COVER.
- ⑥ **SPRING:** GAS SPRING WITH DAMPER FOR SMOOTH, CONTROLLED, COUNTERBALANCED LIFT ASSISTANCE.
- ⑦ **HINGE:** PINTLE HINGE WITH STAINLESS STEEL HINGE PINS.
- ⑧ **HOLD OPEN ARM:** ZINC PLATED STEEL AUTOMATIC HOLD OPEN ARM LOCKS COVER IN FULLY OPEN POSITION WITH RED VINYL GRIP HANDLE PULL RELEASE.

- ⑨ **LATCH:** ZINC PLATED STEEL SLAM LATCH, HOLDS COVER CLOSED AGAINST 20PSF WIND UPLIFT, INTERIOR AND EXTERIOR TURN HANDLES WITH PADLOCK HASPS.
- ⑩ **PULL HANDLE:** INTERIOR PULL DOWN HANDLE, SAFETY YELLOW POWDER COAT

NOTES:
 -WHEN INSTALLING ON A PITCHED ROOF UP TO 7:12, THE HINGE SIDE(LENGTH)MUST BE PARALLEL TO THE SLOPE.
 - WIDTH X LENGTH DIMENSIONS ARE MEASURED INSIDE CURB TO INSIDE CURB. THE WIDTH IS HINGE TO LATCH AND LENGTH IS HINGED SIDE.

ROOF HATCH SIZE 36" (WIDTH) x 36" (LENGTH)
CLEAR OPENING 28 1/8" (WIDTH) x 35 1/2" (LENGTH)
ROUGH OPENING 36" (WIDTH) x 36" (LENGTH)

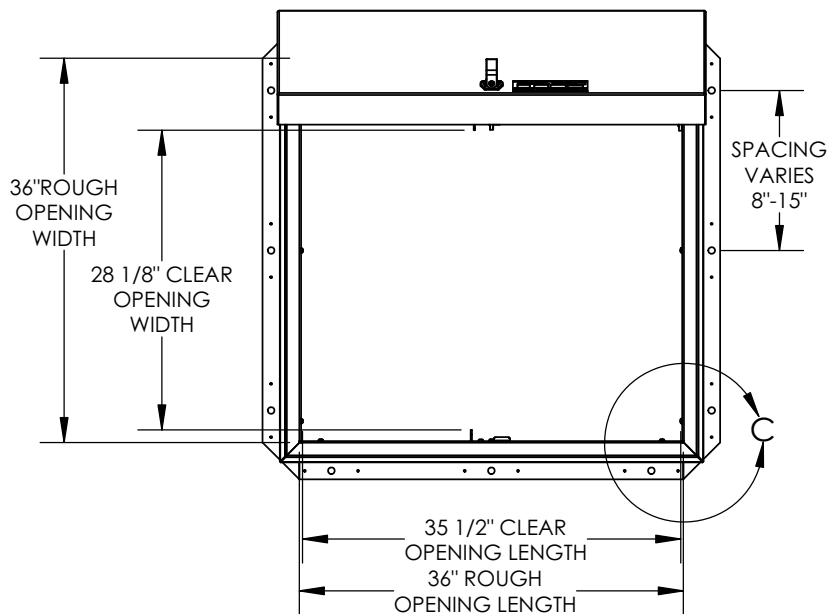
PROJECT:			
ARCHITECT:			
CONTRACTOR:			
QTY:			
PART:		TBG3636	
		TITLE:	
		Roof Hatch, Single Dr., Zinc Hdw., Galvn Steel, Red Oxide Pwd, Single Wall Curb	
NAME	DATE	SIZE	DWG. NO.
RELEASED	IMT	04/01/15	A
WEIGHT: 141 lbs		SHEET 1 OF 2	

A

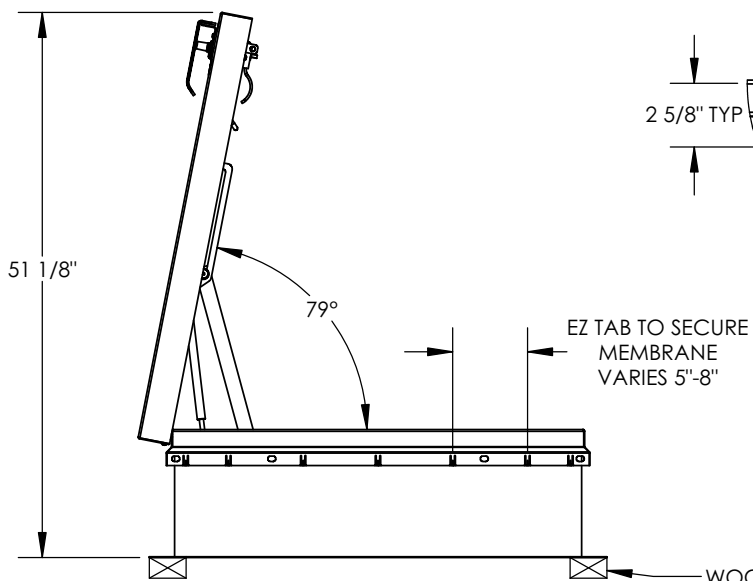
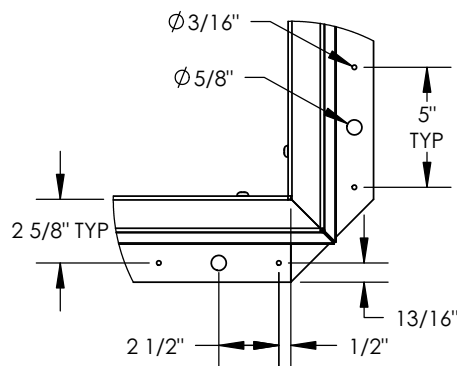
A

B

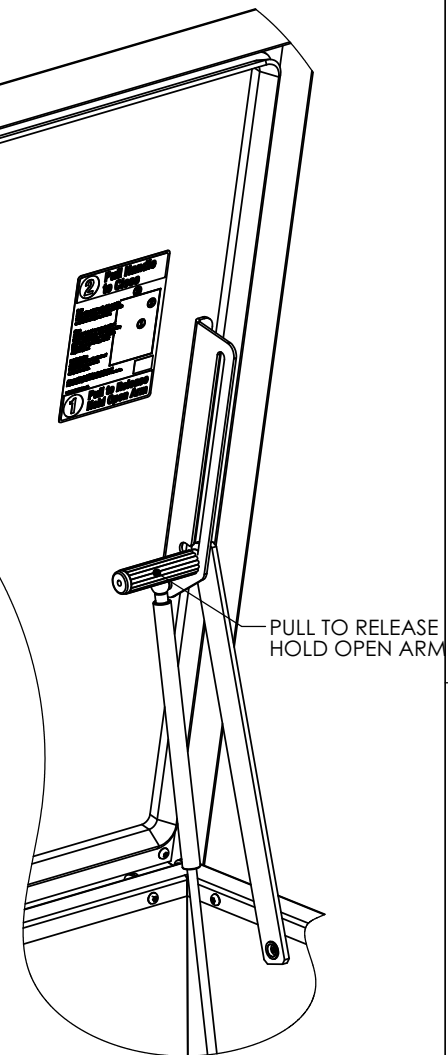
B



DETAIL C
SCALE 1 : 8



WOOD, CONCRETE, OTHER MATERIAL FOR MOUNTING BY OTHERS (NIC)



TITLE:
Roof Hatch, Single Dr., Zinc Hdw., Galvn Steel, Red Oxide Pwd, Single Wall Curb

NAME	DATE	SIZE	DWG. NO.	REV
DRAWN	SGS 04/01/15	A	TBD034_TB636X36	-
RELEASED	IMT 04/01/15	WEIGHT: 141 lbs	SHEET 2 OF 2	