


SPECIFICATIONS:

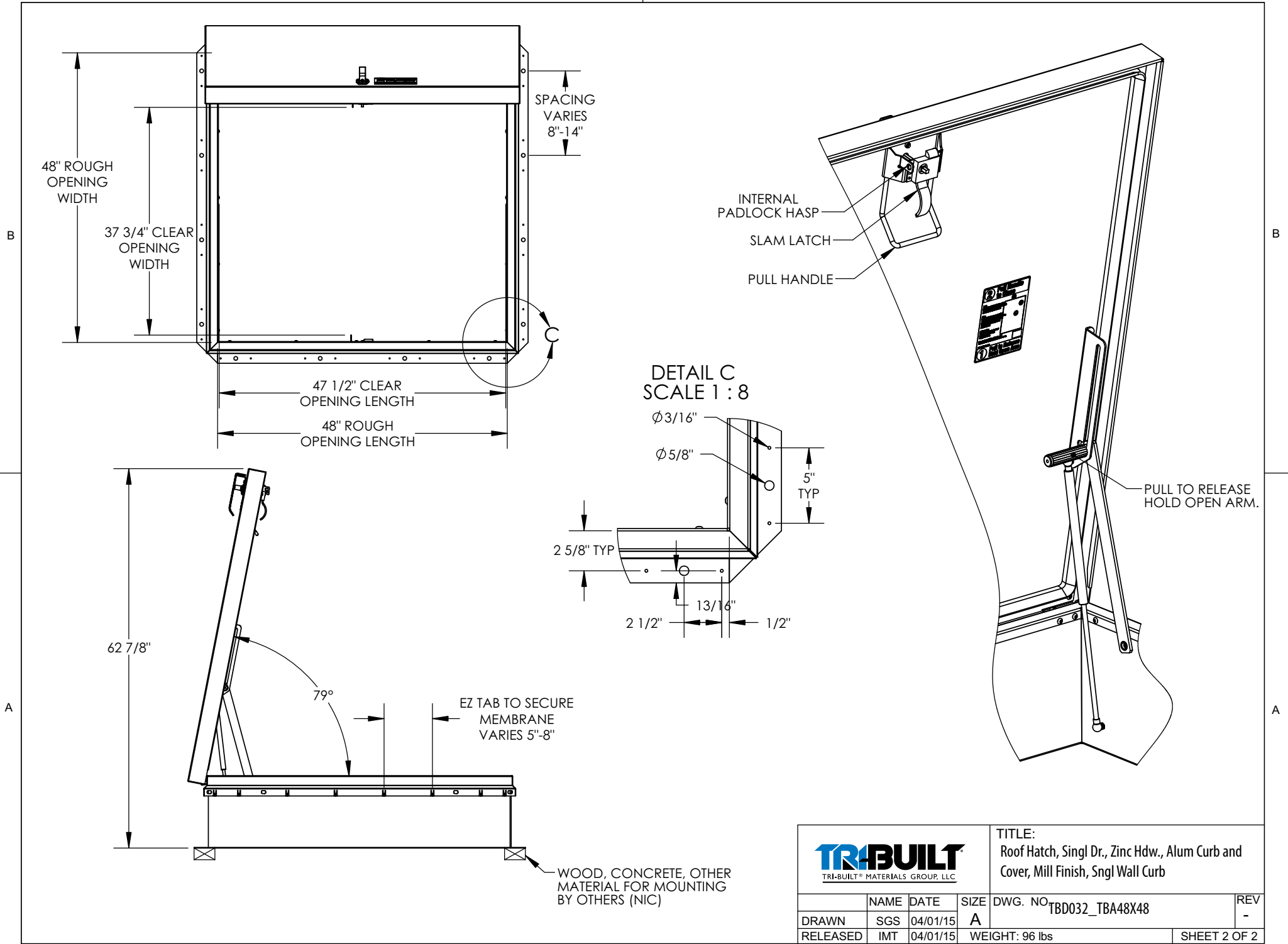
- ① **COVER:** 11 GA (.090)ALUMINUM .STIFFENED TO WITHSTAND A LIVE LOAD OF 40PSF WITH A MAX DEFLECTION OF 1/150 OF THE SPAN.
- ② **CURB:** 11 GA (.090)ALUMINUM CURB COUNTERFLASH WITH EZ TABS.
- ③ **FINISH:** MILL
- ④ **INSULATION:** 1" POLYISO R-6 (5.6 LTR)IN CURB, 1" POLYSTYRENE R-4 (3.8 LTR)IN COVER.
- ⑤ **GASKET:** EXTRUDED EPDM RUBBER ADHESIVE BACKED GASKET SEAL COUNTIINUOUS AROUND COVER.
- ⑥ **SPRING:** GAS SPRING WITH DAMPER FOR SMOOTH, CONTROLLED, COUNTERBALANCED LIFT ASSISTANCE.
- ⑦ **HINGE:** PINTLE HINGE WITH STAINLESS STEEL HINGE PINS.
- ⑧ **HOLD OPEN ARM:** ZINC PLATED STEEL AUTOMATIC HOLD OPEN ARM LOCKS COVER IN FULLY OPEN POSITION WITH RED VINYL GRIP HANDLE PULL RELEASE.

- ⑨ **LATCH:** ZINC PLATED STEEL SLAM LATCH, HOLDS COVER CLOSED AGAINST 20PSF WIND UPLIFT, INTERIOR AND EXTERIOR TURN HANDLES WITH PADLOCK HASPS.
- ⑩ **PULL HANDLE:** INTERIOR PULL DOWN HANDLE, SAFETY YELLOW POWDER COAT

NOTES:
 -WHEN INSTALLING ON A PITCHED ROOF UP TO 7:12, THE HINGE SIDE(LENGTH)MUST BE PARALLEL TO THE SLOPE.
 - WIDTH X LENGTH DIMENSIONS ARE MEASURED INSIDE CURB TO INSIDE CURB. THE WIDTH IS HINGE TO LATCH AND LENGTH IS HINGED SIDE.

ROOF HATCH SIZE 48" (WIDTH) x 48" (LENGTH)
CLEAR OPENING 37 3/4"(WIDTH) x 47 1/2" (LENGTH)
ROUGH OPENING 48" (WIDTH) x 48" (LENGTH)

PROJECT:			
ARCHITECT:			
CONTRACTOR:			
QTY:			
PART:		TBA4848	
 TRI-BUILT® MATERIALS GROUP, LLC		TITLE:	
		Roof Hatch, Singl Dr., Zinc Hdw., Alum Curb and Cover, Mill Finish, Sngl Wall Curb	
	NAME	DATE	SIZE
DRAWN	SGS	04/01/15	A
RELEASED	IMT	04/01/15	WEIGHT: 96 lbs
DWG. NO. TBD032_TBA48X48			REV -
SHEET 1 OF 2			



TRI-BUILT TRI-BUILT® MATERIALS GROUP, LLC				TITLE: Roof Hatch, Sngl Dr., Zinc Hdw., Alum Curb and Cover, Mill Finish, Sngl Wall Curb	
DRAWN	SGS	DATE	04/01/15	SIZE	A
RELEASED	IMT	DATE	04/01/15	DWG. NO.	TBD032_TBA48X48
WEIGHT: 96 lbs				REV	-
					SHEET 2 OF 2