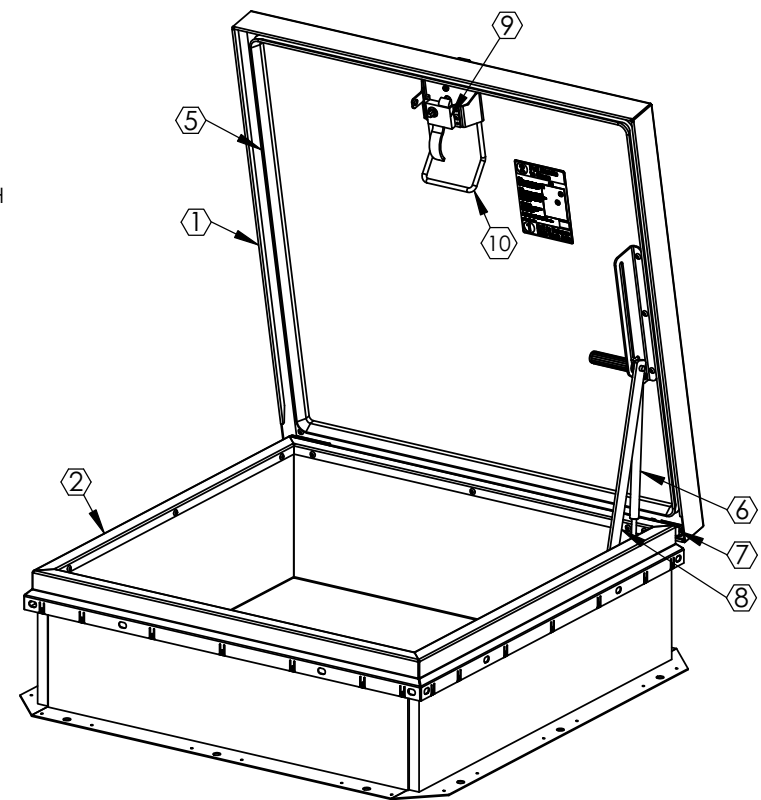
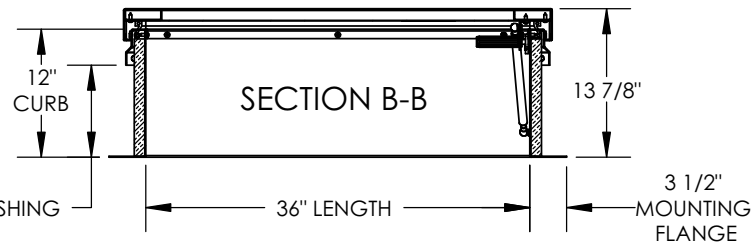
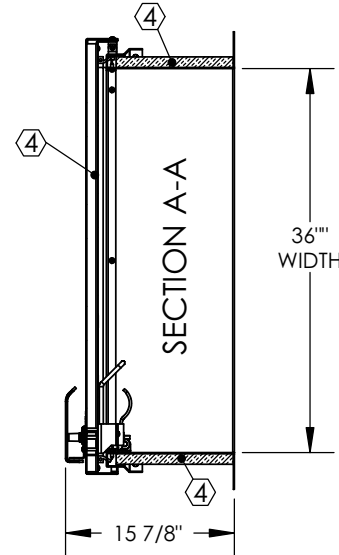
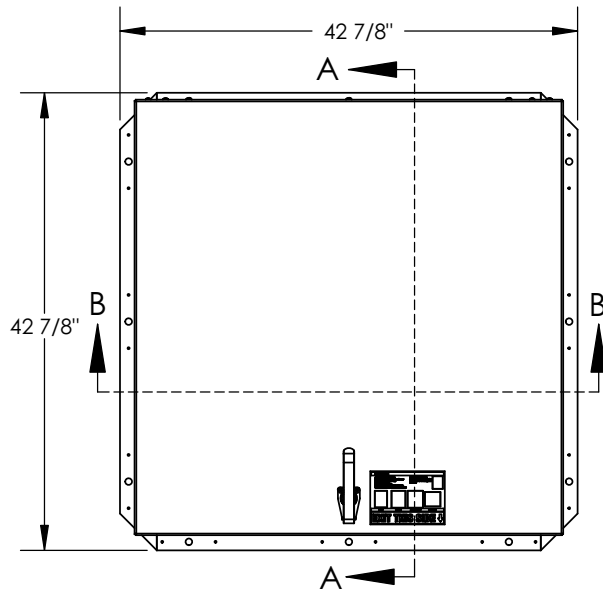


2

1



**SPECIFICATIONS:**

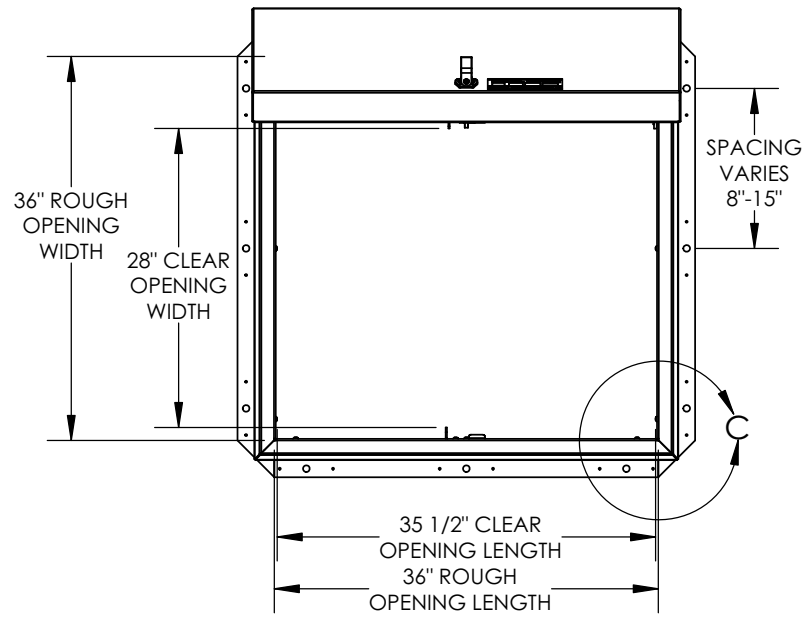
- ① **COVER:** 11 GA (.090) ALUMINUM, STIFFENED TO WITHSTAND A LIVE LOAD OF 40PSF WITH A MAX DEFLECTION OF 1/150 OF THE SPAN.
- ② **CURB:** 11 GA (.090) ALUMINUM CURB COUNTERFLASH WITH EZ TABS.
- ③ **FINISH:** MILL
- ④ **INSULATION:** 1" POLYISO R-6 (5.6 LTR) IN CURB, 1" POLYSTYRENE R-4 (3.8 LTR) IN COVER.
- ⑤ **GASKET:** EXTRUDED EPDM RUBBER ADHESIVE BACKED GASKET SEAL CONTINUOUS AROUND COVER.
- ⑥ **SPRING:** GAS SPRING WITH DAMPER FOR SMOOTH, CONTROLLED, COUNTERBALANCED LIFT ASSISTANCE.
- ⑦ **HINGE:** PINTLE HINGE WITH STAINLESS STEEL HINGE PINS.
- ⑧ **HOLD OPEN ARM:** ZINC PLATED STEEL AUTOMATIC HOLD OPEN ARM LOCKS COVER IN FULLY OPEN POSITION WITH RED VINYL GRIP HANDLE PULL RELEASE.

- ⑨ **LATCH:** ZINC PLATED STEEL SLAM LATCH, HOLDS COVER CLOSED AGAINST 20PSF WIND UPLIFT, INTERIOR AND EXTERIOR TURN HANDLES WITH PADLOCK HASPS.
- ⑩ **PULL HANDLE:** INTERIOR PULL DOWN HANDLE, SAFETY YELLOW POWDER COAT

**NOTES:**  
 -WHEN INSTALLING ON A PITCHED ROOF UP TO 7:12, THE HINGE SIDE(LENGTH) MUST BE PARALLEL TO THE SLOPE.  
 - WIDTH X LENGTH DIMENSIONS ARE MEASURED INSIDE CURB TO INSIDE CURB. THE WIDTH IS HINGE TO LATCH AND LENGTH IS HINGED SIDE.

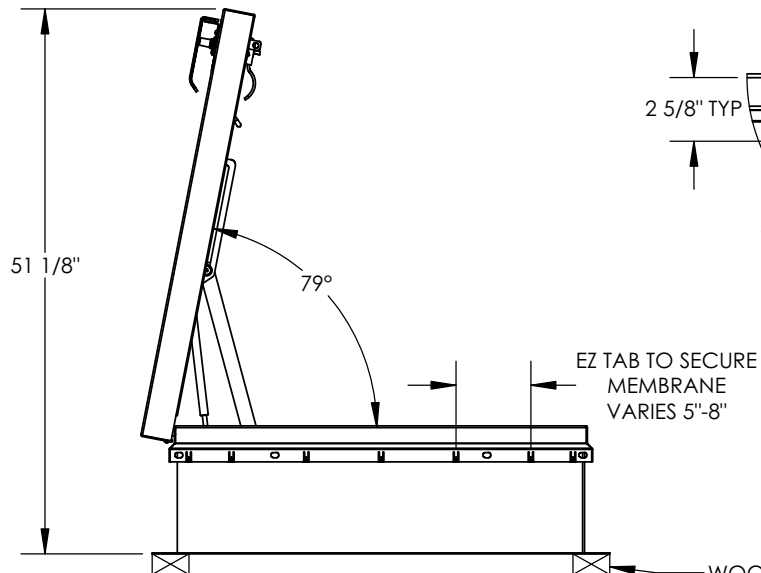
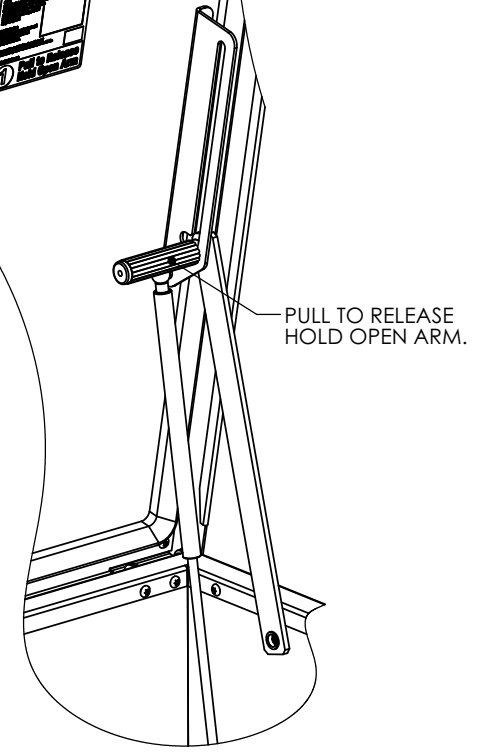
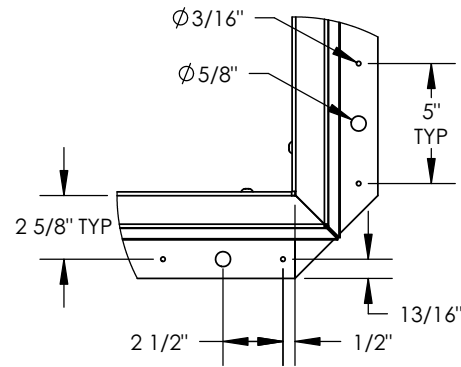
**ROOF HATCH SIZE** 36" (WIDTH) x 36" (LENGTH)  
**CLEAR OPENING** 28" (WIDTH) x 35 1/2" (LENGTH)  
**ROUGH OPENING** 36" (WIDTH) x 36" (LENGTH)

PROJECT:			
ARCHITECT:			
CONTRACTOR:			
QTY:			
PART:		TBA3636	
TITLE:		Roof Hatch, Singl Dr., Zinc Hdw., Alum Curb and Cover, Mill Finish, Sngl Wall Curb	
DRAWN		NAME	DATE
RELEASED	SGS	IMT	04/01/15
SIZE		DWG. NO.	REV
A		TBD031_TBA36X36	-
WEIGHT: 68.5 lbs		SHEET 1 OF 2	



INTERNAL PADLOCK HASP  
SLAM LATCH  
PULL HANDLE

DETAIL C  
SCALE 1 : 8



WOOD, CONCRETE, OTHER MATERIAL FOR MOUNTING BY OTHERS (NIC)

<b>TRIBUILT</b> TRI-BUILT® MATERIALS GROUP, LLC		TITLE: Roof Hatch, Sngl Dr., Zinc Hdw., Alum Curb and Cover, Mill Finish, Sngl Wall Curb		
NAME	DATE	SIZE	DWG. NO.	REV
DRAWN SGS	04/01/15	A	TBD031_TBA36X36	-
RELEASED IMT	04/01/15	WEIGHT: 68.5 lbs		SHEET 2 OF 2