

TRI-BUILT® Heavy Duty TPO RetroDrain

PRODUCT DESCRIPTION

The one-piece spun aluminum body has a TPO coated flange for hot air welding directly to TPO roof membranes. The drain flange has a depressed sump area for improved flow and to facilitate drainage. The TRI-BUILT® TPO RetroDrain is equipped with a heavy duty cast aluminum strainer dome for strength and durability, and incorporates U-Flow® Seal technology, providing a mechanical watertight connection to PVC or cast iron pipes. Available in 3-in., 4-in., 5-in. and 6-in. sizes.

FEATURES & BENEFITS

- One-piece seamless body manufactured from 0.125-in., 11 gauge spun aluminum.
- Extra large 17½-in., TPO coated flange.
- Compatible with most TPO roofing membranes.
- 8-in. tall strainer dome is easy to remove for cleaning.
- 12-in. long drain stem designed to bypass the existing drain bowl right to the water leader.
- Incorporates U-Flow Seal technology for a secure, watertight connection.
- Simple and easy to install.

APPLICATION

TRI-BUILT® RetroDrains are designed to replace existing drains in reroofing applications. TRI-BUILT® RetroDrains are engineered to be installed without removing the existing plumbing or fixture while providing a watertight connection to the roof system and the existing plumbing.

APPROVALS & STANDARDS



ANSI/SPRI RD-1 is a national performance standard for retrofit roof drains. While most retrofit drains are not tested to this standard, TRI-BUILT® Insert Drains – including the TRI-BUILT® Heavy Duty TPO RetroDrain with U-Flow Seal – exceed the standard, which requires that the seal hold a 10-ft. column of water for 24 hours without leaking.



PHYSICAL DATA

The data below is constant for each TRI-BUILT® Heavy Duty TPO RetroDrain.

DRAIN BODY		SEAL	
11 gauge (.125") spun aluminum		Watertight U-Flow mechanical seal requires U-Flow screwdriver	
FLANGE		STRAINER DOME	
17½" diameter TPO coated with sump area		Cast aluminum	
STEM			
12" length			

ORDERING INFORMATION

CAT. NO.	SIZE	DOMES TYPE	PKG	DIMENSIONAL WEIGHT
34952000	3"	Aluminum	Each	32 lbs.
34952001	4"	Aluminum	Each	32 lbs.
34952002	5"	Aluminum	Each	32 lbs.
34952003	6"	Aluminum	Each	32 lbs.

Installation Procedures

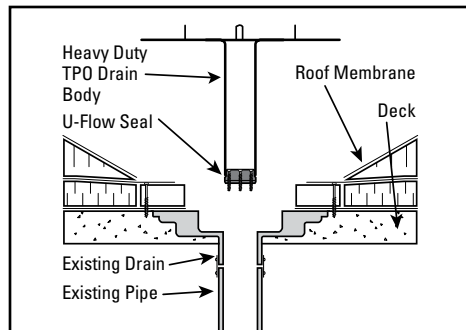
FOR USE WITH

TPO roofing membranes.

JOB PREPARATION

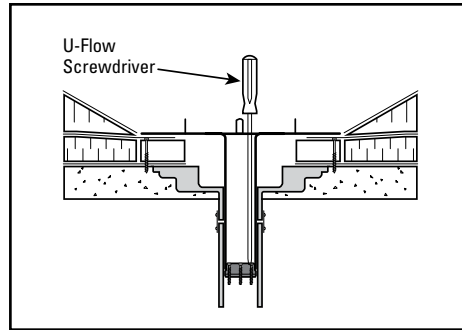
The existing leader pipe shall be cleaned of excess bitumen build-up, dirt and debris. Remove the clamping ring assembly and bolts from the existing drain and discard. If required, comply with roof manufacturer's directions for additional cleaning or detailing.

STEP 1



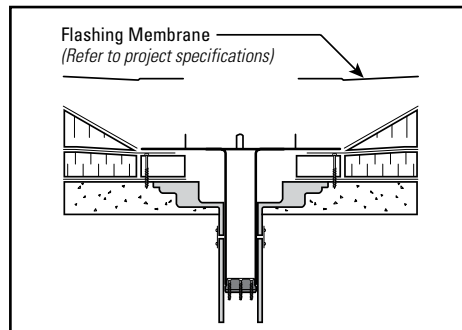
Examine the existing water leader to make sure there are no elbows that prevent the drain stem from being fully inserted into the pipe. (If an elbow is present, see "How to Shorten a Drain.") Insert U-Flow Seal into end of drain stem and tighten screws enough to hold the seal in place during installation. Insert assembled drain with seal into existing leader pipe until flange lies flush on roof membrane.

STEP 2



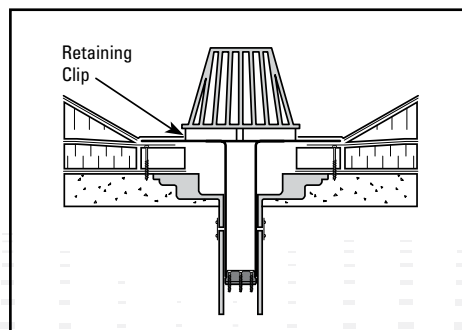
Alternately tighten screws on seal compression ring with the U-Flow Screwdriver until hand tight. The TRI-BUILT® Heavy Duty TPO RetroDrain is correctly installed when pressure placed on the drain body results in no vertical movement. Do not overtighten screws.

STEP 3



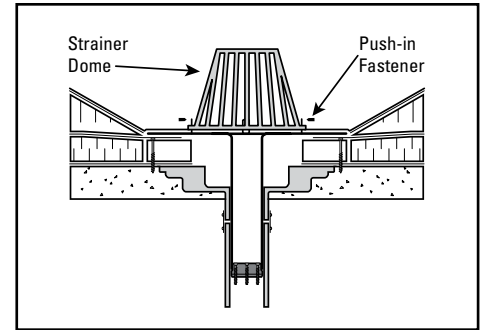
Secure the drain flange to the roof deck/ nailer using a minimum of three pan-head fasteners, evenly spaced around the flange. The flashing membrane must cover and extend past the fastener head. Flashing membrane must be installed per roof membrane manufacturer's detail. Hot air weld the flashing membrane to the drain flange and the field membrane as detailed.

STEP 4



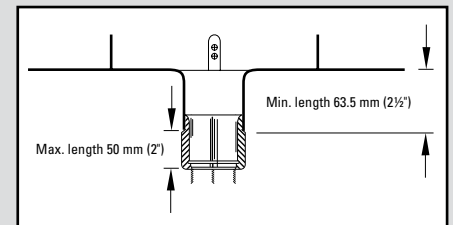
Install the strainer dome onto the retaining clips.

STEP 5



Insert nylon push-in fastener into the appropriate height hole in each of the three retaining clips.

HOW TO SHORTEN A TRI-BUILT® RETROFIT DRAIN



Make sure there is at least 4-inches of clear vertical distance in the existing pipe to accommodate the drain. Cut drain stem to desired length and insert U-Flow Seal. Note: Leave at least 2.5-inches of the drain stem to accommodate the seal.

Insert the U-Flow Seal in the cut drain stem and tighten the seal screws. Once the drain and seal have been assembled, insert it into the existing water leader and complete the assembly following installation steps 2 thru 5.

For technical assistance contact
800-516-1485