

HARD PLASTIC ADJUSTABLE 1¼" - 4" Roof Pipe Flash

PRODUCT FEATURES

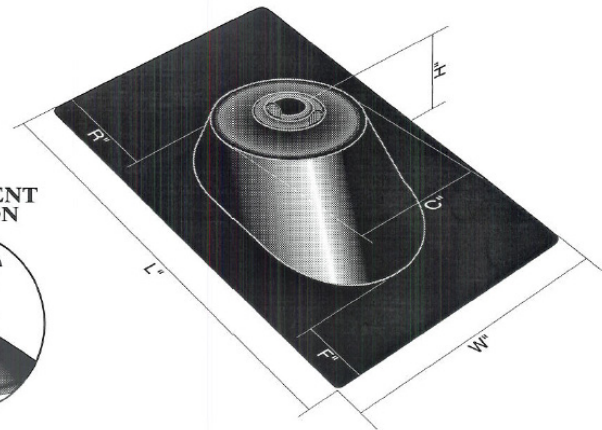
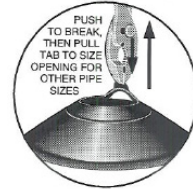


- Adjustable multi-size flashing fits 1 ¼" - 4" vent pipe
- Tested for ultraviolet, ozone, and weather resistance
- Elastomer collar heat tested to 180° Fahrenheit
- Fits any roof pitch to 45°
- Approved for type "B" installations

SPECIFICATION

Furnish and install hard plastic base roof vent flashing with adjustable, multi-size elastomer collar. Unit shall be TRI-BUILT[®] product code checked below as manufactured for TRI-BUILT[®] MATERIALS GROUP, LLC, as per corresponding dimensional characteristics, or equivalent. *(Do not use Petroleum based mastics, sealing compounds, or paints on collar portion of all flashings, on all hardbase, flexible, or rain collars.)*

ADJUSTMENT FUNCTION



DIMENSIONAL CHARACTERISTICS

Product Code	Vent Size	Dim. Width	Dim. Length	Dim. Right	Dim. Front	Dim. Center	Dim. Height
88871868	1 ¼" - 3"	11-1 ⅞"	15"	3 ½"	2 ½"	5 ⅜"	2 ⅞"
88871870	3" - 4"	12"	15 ½"	3 ⅜"	2 ⅛"	6 ¼"	2 9/10"

PRODUCT	DESCRIPTION	PRODUCT CODE	UNITS/ CASE	LBS./ CASE
TRI-BUILT [®] Hard Plastic Black 1-¼" - 3" Roof Pipe Flash	11-1/8" x 15" Base for 1-¼", 1-½", 2" or 3" Vent Pipe	88871868	20	11
TRI-BUILT [®] Hard Plastic Black 3" - 4" Roof Pipe Flash	12" x 15-½" Base for 3" or 4" Vent Pipe	88871870	20	13