

GALVANIZED ADJUSTABLE 3"- 4" Roof Pipe Flash

PRODUCT FEATURES

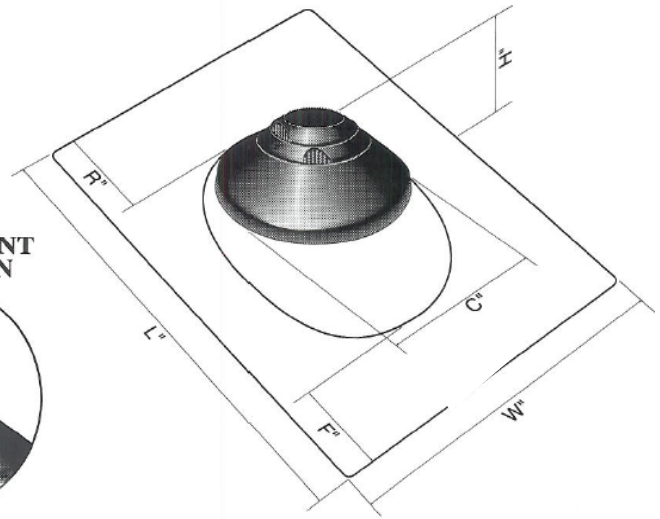
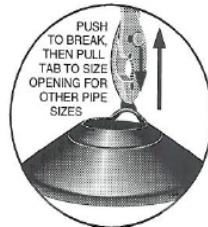


- 24 gauge galvanized base
- Adjustable multi-size flashing fits 3" - 4" vent pipe
- Tested for ultraviolet, ozone, and weather resistance
- Elastomer collar heat tested to 180° Fahrenheit
- Fits any roof pitch to 45°
- Approved for type "B" installations

SPECIFICATION

Furnish and install roof vent flashing with 24 gauge galvanized steel base, fitted with adjustable, multi-size elastomer collar. Unit shall be TRI-BUILT® product code checked below as manufactured for TRI-BUILT® MATERIALS GROUP, LLC, as per corresponding dimensional characteristics, or equivalent. (Do not use Petroleum based mastics, sealing compounds, or paints on collar portion of all flashings, on all hardbase, flexible, or rain collars.)

ADJUSTMENT FUNCTION



DIMENSIONAL CHARACTERISTICS

Product Code	Vent Size	Dim. Width	Dim. Length	Dim. Right	Dim. Front	Dim. Center	Dim. Height
ALL COLORS	3" - 4"	12"	16"	3¾"	2¾"	6½"	2¼"

PRODUCT	DESCRIPTION	PRODUCT CODE	UNITS/ CASE	LBS./ CASE
TRI-BUILT® Galvanized Steel Base Black 3" -4" Roof Pipe Flash	12" x 16" Base for 3" or 4" Vent Pipe	88871810	20	29
TRI-BUILT® Galvanized Steel Base Brown 3" -4" Roof Pipe Flash	12" x 16" Base for 3" or 4" Vent Pipe	88871815	20	29
TRI-BUILT® Galvanized Steel Base Mill 3" -4" Roof Pipe Flash	12" x 16" Base for 3" or 4" Vent Pipe	88871820	20	29
TRI-BUILT® Galvanized Steel Base Gray 3" -4" Roof Pipe Flash	12" x 16" Base for 3" or 4" Vent Pipe	88871825	20	29