

GALVANIZED ADJUSTABLE 1 1/4" - 3" Roof Pipe Flash

PRODUCT FEATURES

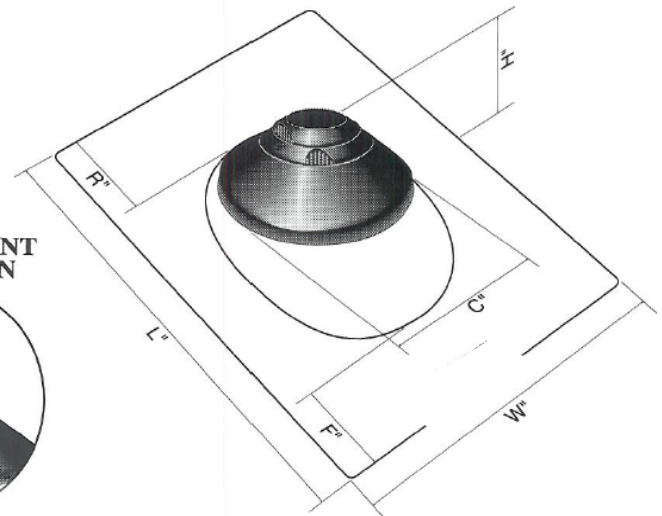
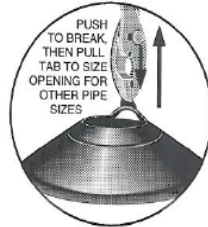


- 24 gauge galvanized base
- Adjustable multi-size flashing fits 1 1/4" - 3" vent pipe
- Tested for ultraviolet, ozone, and weather resistance
- Elastomer collar heat tested to 180° Fahrenheit
- Fits any roof pitch to 45°
- Approved for type "B" installations

SPECIFICATION

Furnish and install roof vent flashing with 24 gauge galvanized steel base, fitted with adjustable, multi-size elastomer collar. Unit shall be TRI-BUILT[®] product code checked below as manufactured for TRI-BUILT[®] MATERIALS GROUP, LLC, as per corresponding dimensional characteristics, or equivalent. *(Do not use Petroleum based mastics, sealing compounds, or paints on collar portion of all flashings, on all hardbase, flexible, or rain collars.)*

ADJUSTMENT FUNCTION



DIMENSIONAL CHARACTERISTICS

Product Code	Vent Size	Dim. Width	Dim. Length	Dim. Right	Dim. Front	Dim. Center	Dim. Height
ALL COLORS	1 1/4" - 3"	10 3/4"	14 1/2"	2 5/8"	2 3/8"	5 1/2"	2 1/8"

PRODUCT	DESCRIPTION	PRODUCT CODE	UNITS/ CASE	LBS./ CASE
TRI-BUILT [®] Galvanized Steel Base Mill 1 1/4" - 3" Roof Pipe Flash	10-3/4" x 14-1/2" Base for 1-1/4", 1-1/2", 2" or 3" Vent Pipe	88871805	20	27
TRI-BUILT [®] Galvanized Steel Base Black 1 1/4" - 3" Roof Pipe Flash	10-3/4" x 14-1/2" Base for 1-1/4", 1-1/2", 2" or 3" Vent Pipe	88871806	20	27
TRI-BUILT [®] Galvanized Steel Base Brown 1 1/4" - 3" Roof Pipe Flash	10-3/4" x 14-1/2" Base for 1-1/4", 1-1/2", 2" or 3" Vent Pipe	88871807	20	27
TRI-BUILT [®] Galvanized Steel Base Gray 1 1/4" - 3" Roof Pipe Flash	10-3/4" x 14-1/2" Base for 1-1/4", 1-1/2", 2" or 3" Vent Pipe	88871808	20	27