

GALVANIZED 1¼" - 4" Roof Pipe Flash

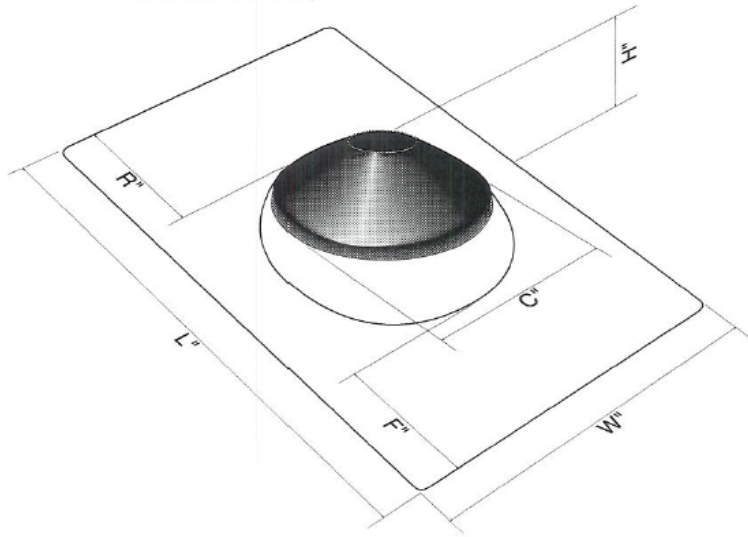
PRODUCT FEATURES



- 24 gauge galvanized base with elastomer collar
- Fits any roof pitch to 45°
- Approved for Type "B" installations
- Elastomer collar heat tested to 180° Fahrenheit
- Tested for ultraviolet, ozone, and weather resistance

SPECIFICATION

Furnish and install roof vent flashing with 24 gauge galvanized steel base, fitted with elastomer collar. Unit shall be TRI-BUILT® product code checked below as manufactured for TRI-BUILT® MATERIALS GROUP, LLC, as per corresponding dimensional characteristics, or equivalent. *(Do not use Petroleum based mastics, sealing compounds, or paints on collar portion of all flashings, on all hardbase, flexible, or rain collars.)*



DIMENSIONAL CHARACTERISTICS

Product Code	Vent Size	Dim. Width	Dim. Length	Dim. Right	Dim. Front	Dim. Center	Dim. Height
88871787	1¼" - 1½"	8¾"	12½"	3½"	2¾"	4¼"	2¼"
88871790	2"	8¾"	12½"	3½"	2¾"	4¼"	2¼"
88871800	3"	10¾"	14½"	2⅝"	2¾"	5½"	2"
88871803	4"	12"	16"	3¾"	2¾"	6½"	2⅛"

PRODUCT	DESCRIPTION	PRODUCT CODE	UNITS/ CASE	LBS./ CASE
TRI-BUILT® Galvanized Steel Base 3" Roof Pipe Flash	10¾" x 14½" Base for 3" Vent Pipe	88871800	20	26
TRI-BUILT® Galvanized Steel Base 4" Roof Pipe Flash	12" x 16" Base for 4" Vent Pipe	88871803	20	29
TRI-BUILT® Galvanized Steel Base 1¼" - 1½" Roof Pipe Flash	8¾" x 12½" Base for 1¼" or 1½" Vent Pipe	88871787	20	19
TRI-BUILT® Galvanized Steel Base 2" Roof Pipe Flash	8¾" x 12½" Base for 2" Vent Pipe	88871790	20	18