

## ALUMINUM BASE ADJUSTABLE 3" - 4" Roof Pipe Flash Adjustable

### PRODUCT FEATURES

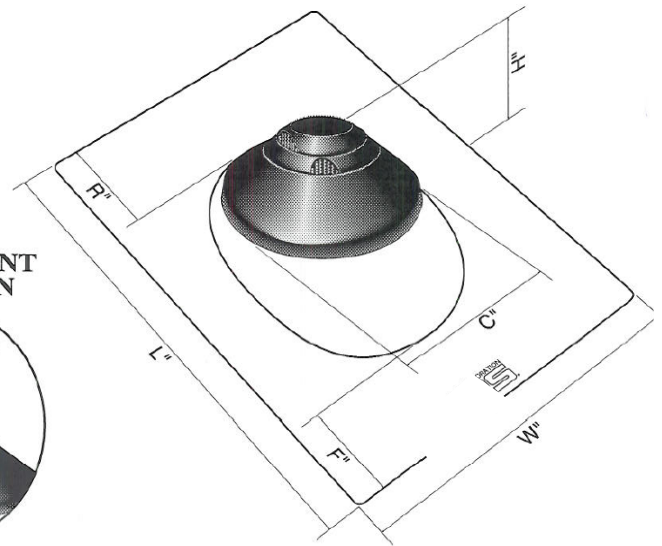
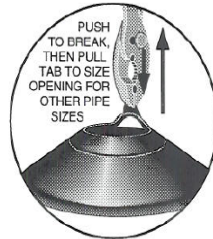


- Adjustable multi-size flashing fits 3" - 4" vent pipe
- Tested for ultraviolet, ozone, and weather resistance
- Elastomer collar heat tested to 180° Fahrenheit
- Fits any roof pitch to 45°
- Approved for type "B" installations

### SPECIFICATION

Furnish and install roof vent flashing with 25 mil. aluminum base, fitted with adjustable multi-size elastomer collar. Unit shall be TRI-BUILT<sup>®</sup> product code checked below as manufactured for TRI-BUILT<sup>®</sup> MATERIALS GROUP, LLC, as per corresponding dimensional characteristics, or equivalent. (Do not use Petroleum based mastics, sealing compounds, or paints on collar portion of all flashings, on all hardbase, flexible, or rain

### ADJUSTMENT FUNCTION



### DIMENSIONAL CHARACTERISTICS

Product Code	Vent Size	Dim. Width	Dim. Length	Dim. Right	Dim. Front	Dim. Center	Dim. Height
ALL COLORS	3" - 4"	12"	16"	3¾"	2¾"	6½"	2¼"

PRODUCT	DESCRIPTION	PRODUCT CODE	UNITS/ CASE	LBS./ CASE
TRI-BUILT <sup>®</sup> Aluminum Base Black 3" - 4" Roof Pipe Flash	12" x 16" Base for 3" or 4" Vent Pipe	88871740	20	15
TRI-BUILT <sup>®</sup> Aluminum Base Brown 3" - 4" Roof Pipe Flash	12" x 16" Base for 3" or 4" Vent Pipe	88871745	20	15
TRI-BUILT <sup>®</sup> Aluminum Base Mill 3" - 4" Roof Pipe Flash	12" x 16" Base for 3" or 4" Vent Pipe	88871750	20	15
TRI-BUILT <sup>®</sup> Aluminum Base Gray 3" - 4" Roof Pipe Flash	12" x 16" Base for 3" or 4" Vent Pipe	88871755	20	15